



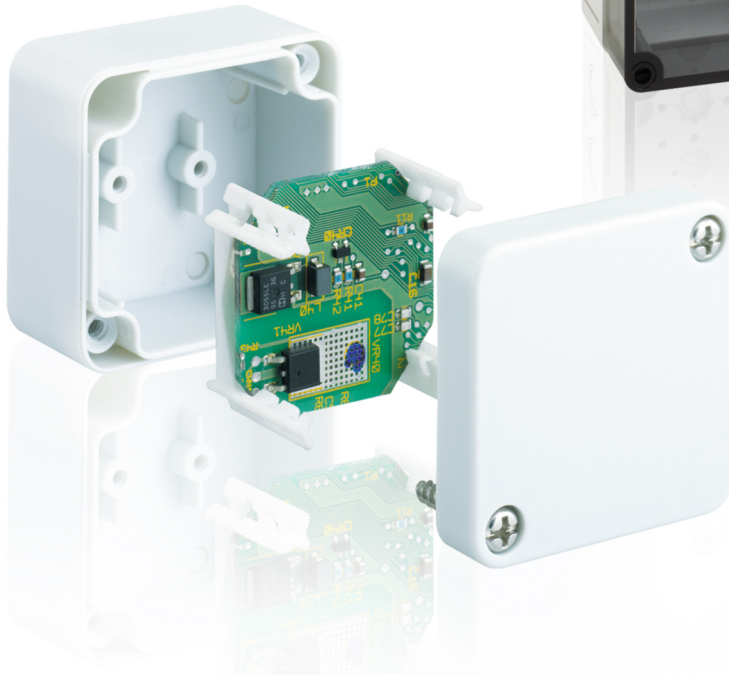
TK Series

Designed for tough industrial environments and a wide variety of applications, TK Enclosures are available with standard gray or tinted transparent covers in several heights. Sidewalls are supplied smooth or with knockouts. Precision molded from impact and flame resistant materials, they offer functionality and appealing solutions for diverse application requirements.

- 18 different enclosures with up to 3 different cover heights
- IP66 (NEMA 4X)
- Polystyrene or Polycarbonate
- Gray or tinted transparent covers
- Smooth sidewalls or sidewalls with knockouts
- Four cover mounting screws
- Tongue and groove with polyurethane gasket (CFC free)
- Gasket inserted by robots
- HF - EMC models available
- Knockout mounting holes in enclosure base
- Screw fastening cover design requires six turns to lock
- Dust and moisture proof
- Non flammable and halogen free

The TK Choice

Sample application.



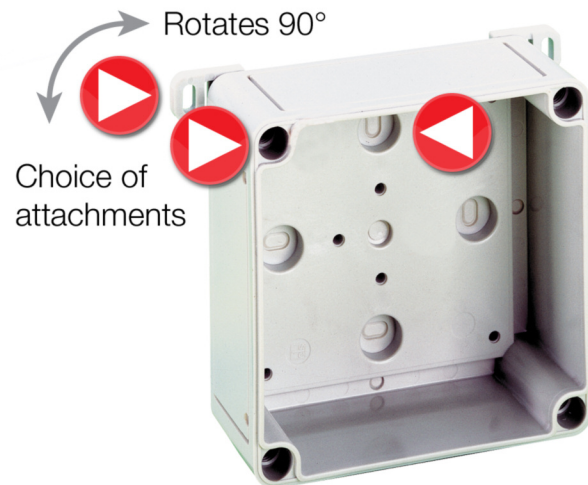
Different cover heights.



Combinable



External hinges



TK 55/TK75 – Polycarbonate – 50 x 52 mm (1.97 x 2.05 in.) / 65 x 50 mm (2.56 x 1.97 in.)

Standard Features

- **Protection Level:** IP66 (NEMA Type: 4X and 12/12K)
- **Technical:**
 - Smooth Sidewalls
 - 1 Sidewall Knockout or Integral Cable Gland (5-10mm cable diameter)
 - Gray or Clear Transparent Cover
- **Enclosure Materials:** Polycarbonate
- **Gasket Material:** Polyurethane
- **Color:** Light Gray
- **Material**
 - Temperature Range:** Polycarbonate
-40°C to 120°C (-40°F to 248°F)
- **Accessories:** See section below



TK55 - 50 x 52 mm

Polycarbonate

Ordering Information	Height mm (in)	Cat. No.	Type	Cover Color	Std. Pk.
<input type="checkbox"/> Enclosure - smooth sidewall	35 mm (1.38 in)	120-455	PC 55-4-o	gray	5
<input type="checkbox"/> Enclosure - smooth sidewall	35 mm (1.38 in)	130-455	PC 55-4-to	trans.	5
<input type="checkbox"/> Enclosure - metric knockout	35 mm (1.38 in)	127-455	PC 55-4-m	gray	5
<input type="checkbox"/> Enclosure - metric knockout	35 mm (1.38 in)	137-455	PC 55-4-tm	trans.	5
<input type="checkbox"/> Enclosure - Integral Cable Gland	35 mm (1.38 in)	129-455	PC 55-4-v	gray	5
<input type="checkbox"/> Enclosure - Integral Cable Gland	35 mm (1.38 in)	139-455	PC 55-4-tv	trans.	5

TK75 - 65 x 50 mm

Polycarbonate

Ordering Information	Height mm (in)	Cat. No.	Type	Cover Color	Std. Pk.
<input type="checkbox"/> Enclosure - smooth sidewall	35 mm (1.38 in)	120-475	PC 75-4-o	gray	5
<input type="checkbox"/> Enclosure - smooth sidewall	35 mm (1.38 in)	130-475	PC 75-4-to	trans.	5
<input type="checkbox"/> Enclosure - metric knockout	35 mm (1.38 in)	127-475	PC 75-4-m	gray	5
<input type="checkbox"/> Enclosure - metric knockout	35 mm (1.38 in)	137-475	PC 75-4-tm	trans.	5
<input type="checkbox"/> Enclosure - Integral Cable Gland	35 mm (1.38 in)	129-475	PC 75-4-v	gray	5
<input type="checkbox"/> Enclosure - Integral Cable Gland	35 mm (1.38 in)	139-475	PC 75-4-tv	trans.	5
<input type="checkbox"/> Enclosure - 2 x Integral Cable Gland	35 mm (1.38 in)	128-475	PC 75-4-2v	gray	5
<input type="checkbox"/> Enclosure - 2 x Integral Cable Gland	35 mm (1.38 in)	138-475	PC 75-4-2tv	trans.	5

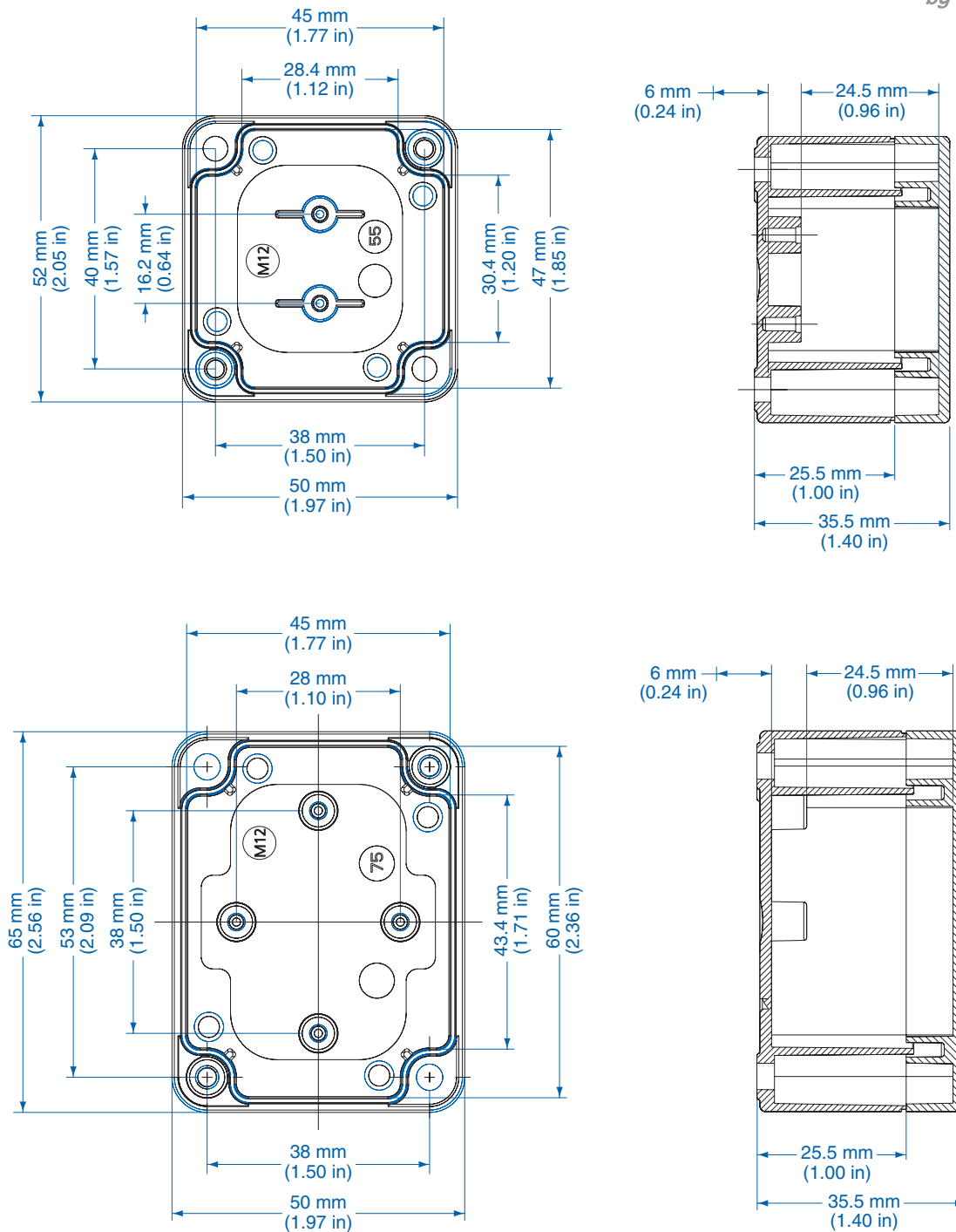
Accessories

Ordering Information	Cat. No.	Type	Std. Pk.
Mounting Plate (TK55)	195-055	TKMPI-55	5
Mounting Plate (TK75)	195-075	TKMPI-75	5
PCB Bracket	194-110	MP/LPH	2
Mounting Bracket	194-002	MB	1

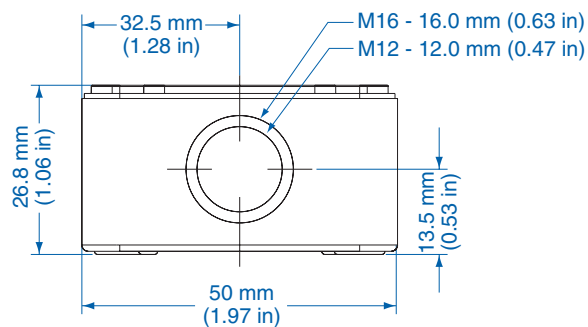
Please refer to pages 149-152 for additional accessories and detailed information.

* Only parts without integral cable glands are UL listed.

Dimensions



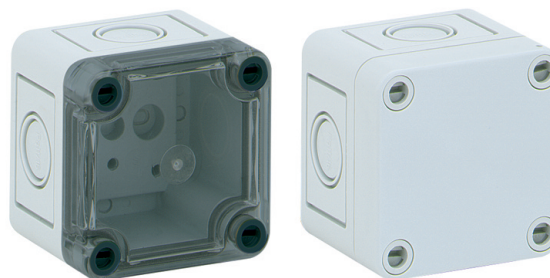
Knockout Positions
(one side only)



TK 77 – Polystyrene and Polycarbonate – 65 x 65 mm (2.56 x 2.56 in.)

Standard Features

- **Protection Level:** IP66 (NEMA Type: 4X and 12/12K)
- **Technical:** Smooth or Knockout Sidewalls
Gray or Tinted Transparent Cover
Multiple Enclosure Mounting Options
- **UL Recognized**
 - Enclosure Materials:** Polystyrene or Polycarbonate
 - **Gasket Material:** Polyurethane
 - **Color:** Light Gray
 - **Material**
 - Temperature Range:** Polystyrene
-40°C to 70°C (-40°F to 158°F)
Polycarbonate
-40°C to 120°C (-40°F to 248°F)
- **Accessories:** See section below



Smooth Sidewalls

Ordering Information	Height mm (in)	Polystyrene					Polycarbonate			
		Cat. No.	Type	Cover Color	Std. Pk.	Cat. No.	Type	Cover Color	Std. Pk.	
☐ Enclosure - low cover	57 mm (2.24 in)	110-401	PS 77-6-o	gray	5	120-401	PC 77-6-o	gray	5	
☐ Enclosure - high cover	81 mm (3.19 in)	110-901	PS 77-8-o	gray	5	120-901	PC 77-8-o	gray	5	
☐ Enclosure - low cover	57 mm (2.24 in)	111-001	PS 77-6-to	trans.	5	130-001	PC 77-6-to	trans.	5	
☐ Enclosure - high cover	81 mm (3.19 in)	111-501	PS 77-8-to	trans.	5	130-501	PC 77-8-to	trans.	5	

Sidewalls with Metric Knockouts

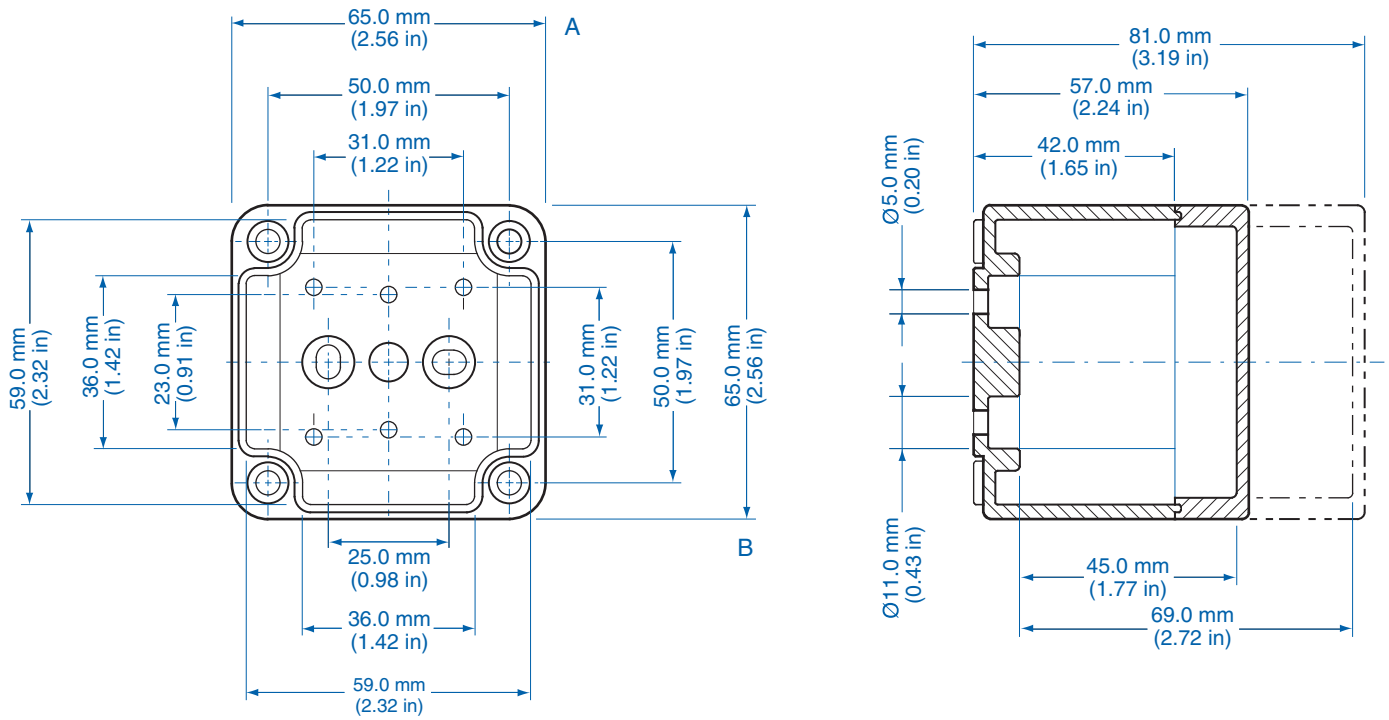
Ordering Information	Height mm (in)	Polystyrene					Polycarbonate			
		Cat. No.	Type	Cover Color	Std. Pk.	Cat. No.	Type.	Cover Color	Std. Pk.	
☐ Enclosure - low cover	57 mm (2.24 in)	105-401	PS 77-6-m	gray	5	127-401	PC 77-6-m	gray	5	
☐ Enclosure - high cover	81 mm (3.19 in)	105-901	PS 77-8-m	gray	5	127-901	PC 77-8-m	gray	5	
☐ Enclosure - low cover	57 mm (2.24 in)	106-001	PS 77-6-tm	trans.	5	137-001	PC 77-6-tm	trans.	5	
☐ Enclosure - high cover	81 mm (3.19 in)	106-501	PS 77-8-tm	trans.	5	137-501	PC 77-8-tm	trans.	5	

Accessories

Ordering Information	Cat. No.	Type	Std. Pk.
Mounting Plate (plastic)	195-001	TKMPI-77	1
Mounting Plate (steel)	197-001	TKMPS-77	1
DIN Rail TS15-49.5mm	197-049	TS 15/49.5	1
Hinge Kit Set	190-002	HK1	1
Mounting Tab Kit	194-001	MT1	1

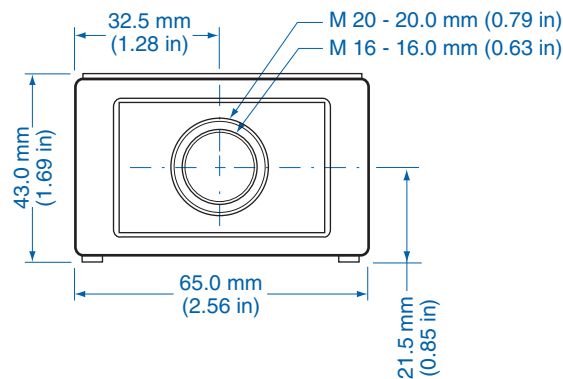
Please refer to pages 149-152 for additional accessories and detailed information.

Dimensions



Knockout Positions

(all 4 sides)



TK 97 – Polystyrene and Polycarbonate – 94 x 65 mm (3.70 x 2.56 in.)

Standard Features

- **Protection Level:** IP66 (NEMA Type: 4X and 12/12K)
- **Technical:** Smooth or Knockout Sidewalls
Gray or Tinted Transparent Cover
Multiple Enclosure Mounting Options
- **UL Recognized**
 - **Enclosure Materials:** Polystyrene or Polycarbonate
 - **Gasket Material:** Polyurethane
 - **Color:** Light Gray
 - **Material**
 - **Temperature Range:** Polystyrene
-40°C to 70°C (-40°F to 158°F)
Polycarbonate
-40°C to 120°C (-40°F to 248°F)
- **Accessories:** See section below



Smooth Sidewalls

Polystyrene

Polycarbonate

Ordering Information	Height mm (in)	Cat. No.	Type	Cover Color	Std. Pk.	Cat. No.	Type	Cover Color	Std. Pk.
☐ Enclosure - low cover	57 mm (2.24 in)	110-402	PS 97-6-o	gray	5	120-402	PC 97-6-o	gray	5
☐ Enclosure - high cover	81 mm (3.19 in)	110-902	PS 97-8-o	gray	5	120-902	PC 97-8-o	gray	5
☐ Enclosure - low cover	57 mm (2.24 in)	111-002	PS 97-6-to	trans.	5	130-002	PC 97-6-to	trans.	5
☐ Enclosure - high cover	81 mm (3.19 in)	111-502	PS 97-8-to	trans.	5	130-502	PC 97-8-to	trans.	5

Sidewalls with Metric Knockouts

Polystyrene

Polycarbonate

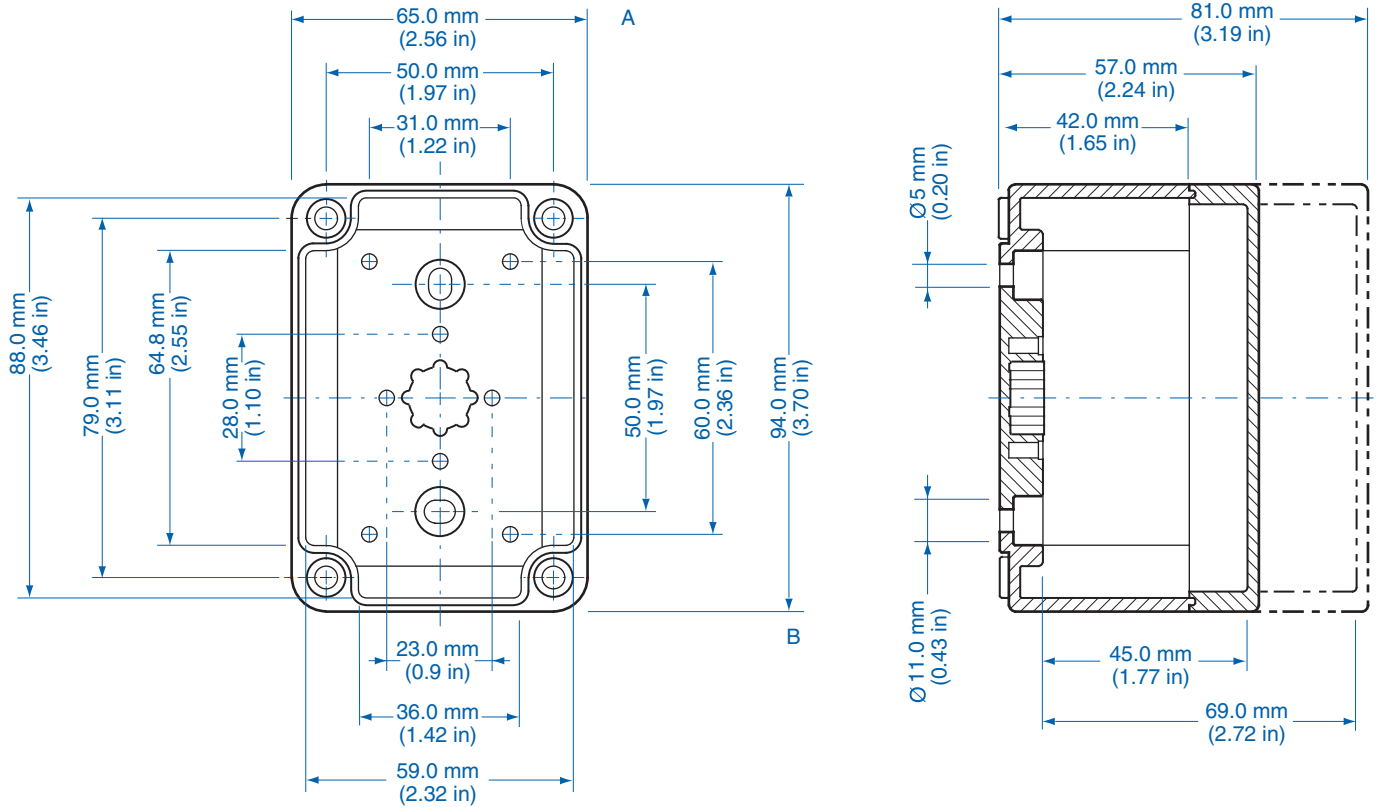
Ordering Information	Height mm (in)	Cat. No.	Type	Cover Color	Std. Pk.	Cat. No.	Type	Cover Color	Std. Pk.
☐ Enclosure - low cover	57 mm (2.24 in)	105-402	PS 97-6-m	gray	5	127-402	PC 97-6-m	gray	5
☐ Enclosure - high cover	81 mm (3.19 in)	105-902	PS 97-8-m	gray	5	127-902	PC 97-8-m	gray	5
☐ Enclosure - low cover	57 mm (2.24 in)	106-002	PS 97-6-tm	trans.	5	137-002	PC 97-6-tm	trans.	5
☐ Enclosure - high cover	81 mm (3.19 in)	106-502	PS 97-8-tm	trans.	5	137-502	PC 97-8-tm	trans.	5

Accessories

Ordering Information	Cat. No.	Type	Std. Pk.
Mounting Plate (plastic)	195-002	TKMPI-97	1
Mounting Plate (steel)	197-002	TKMPS-97	1
DIN Rail TS15-80mm	197-080	TS 15/80	1
Hinge Kit Set	190-002	HK1	1
Mounting Tab Kit	194-001	MT1	1

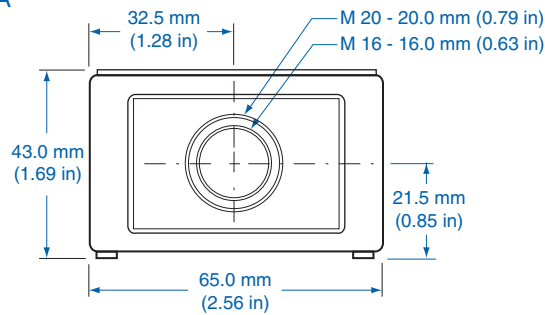
Please refer to pages 149-152 for additional accessories and detailed information.

Dimensions

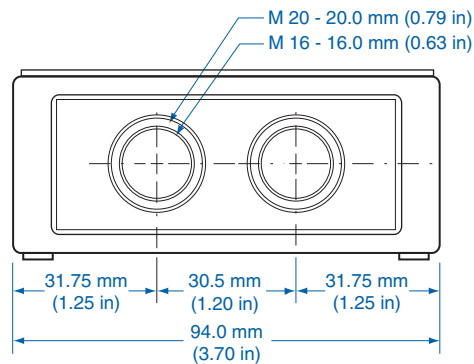


Knockout Positions

Side A



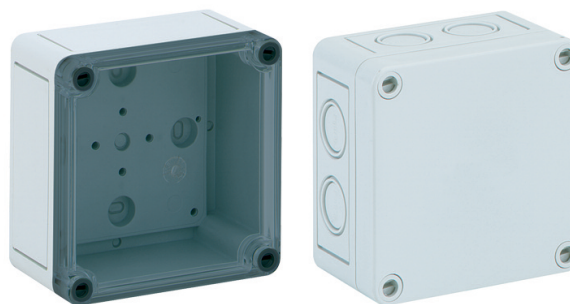
Side B



TK 99 – Polystyrene and Polycarbonate – 94 x 94 mm (3.70 x 3.70 in.)

Standard Features

- **Protection Level:** IP66 (NEMA Type: 4X and 12/12K)
- **Technical:** Smooth or Knockout Sidewalls
Gray or Tinted Transparent Cover
Multiple Enclosure Mounting Options
- **UL Recognized**
 - **Enclosure Materials:** Polystyrene or Polycarbonate
 - **Gasket Material:** Polyurethane
 - **Color:** Light Gray
 - **Material**
 - **Temperature Range:** Polystyrene
-40°C to 70°C (-40°F to 158°F)
Polycarbonate
-40°C to 120°C (-40°F to 248°F)
- **Accessories:** See section below



Smooth Sidewalls

Polystyrene

Polycarbonate

Ordering Information	Height mm (in)	Cat. No.	Type	Cover Color	Std. Pk.	Cat. No.	Type	Cover Color	Std. Pk.
☐ Enclosure - low cover	57 mm (2.24 in)	110-403	PS 99-6-o	gray	4	120-403	PC 99-6-o	gray	4
☐ Enclosure - high cover	81 mm (3.19 in)	110-903	PS 99-8-o	gray	3	120-903	PC 99-8-o	gray	3
☐ Enclosure - low cover	57 mm (2.24 in)	111-003	PS 99-6-to	trans.	4	130-003	PC 99-6-to	trans.	4
☐ Enclosure - high cover	81 mm (3.19 in)	111-503	PS 99-8-to	trans.	3	130-503	PC 99-8-to	trans.	3

Sidewalls with Metric Knockouts

Polystyrene

Polycarbonate

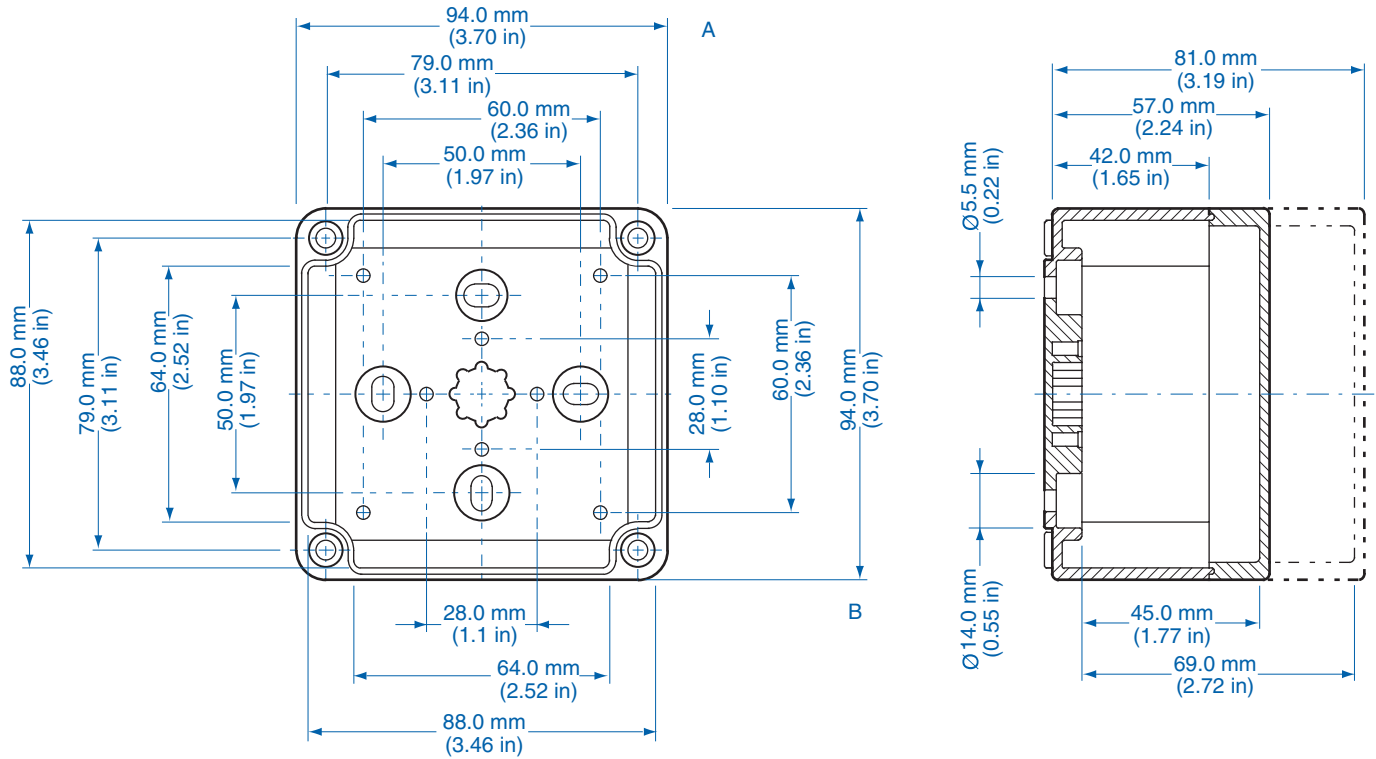
Ordering Information	Height mm (in)	Cat. No.	Type	Cover Color	Std. Pk.	Cat. No.	Type	Cover Color	Std. Pk.
☐ Enclosure - low cover	57 mm (2.24 in)	105-403	PS 99-6-m	gray	4	127-403	PC 99-6-m	gray	4
☐ Enclosure - high cover	81 mm (3.19 in)	105-903	PS 99-8-m	gray	3	127-903	PC 99-8-m	gray	3
☐ Enclosure - low cover	57 mm (2.24 in)	106-003	PS 99-6-tm	trans.	4	137-003	PC 99-6-tm	trans.	4
☐ Enclosure - high cover	81 mm (3.19 in)	106-503	PS 99-8-tm	trans.	3	137-503	PC 99-8-tm	trans.	3

Accessories

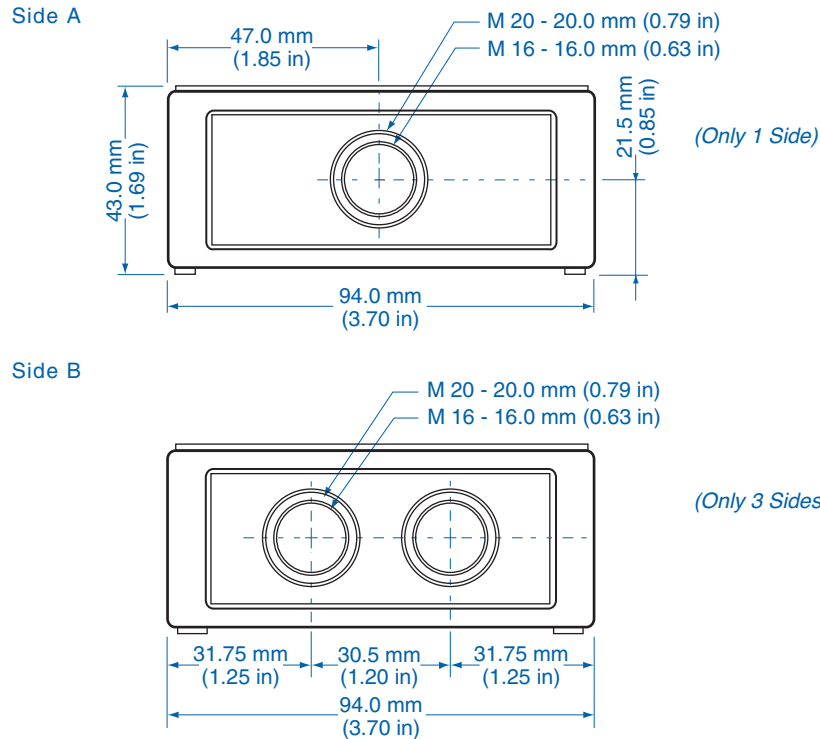
Ordering Information	Cat. No.	Type	Std. Pk.
Mounting Plate (plastic)	195-003	TKMPI-99	1
Mounting Plate (steel)	197-003	TKMPS-99	1
DIN Rail TS15 - 80 mm	197-080	TS 15/80	1
Hinge Kit Set	190-002	HK1	1
Mounting Tab Kit	194-001	MT1	1

Please refer to pages 149-152 for additional accessories and detailed information.

Dimensions



Knockout Positions



TK 1111 – Polystyrene and Polycarbonate – 110 x 110 mm (4.33 x 4.33 in.)

Standard Features

- **Protection Level:** IP66 (NEMA Type: 4X and 12/12K)
- **Technical:** Smooth or Knockout Sidewalls
Gray or Tinted Transparent Cover
Multiple Enclosure Mounting Options
- **UL Recognized**
 - **Enclosure Materials:** Polystyrene or Polycarbonate
 - **Gasket Material:** Polyurethane
 - **Color:** Light Gray
 - **Material**
 - **Temperature Range:** Polystyrene
-40°C to 70°C (-40°F to 158°F)
Polycarbonate
-40°C to 120°C (-40°F to 248°F)
- **Accessories:** See section below



Smooth Sidewalls

Ordering Information	Height mm (in)	Polystyrene				Polycarbonate			
		Cat. No.	Type	Cover Color	Std. Pk.	Cat. No.	Type	Cover Color	Std. Pk.
☐ Enclosure - low cover	66 mm (2.60 in)	110-404	PS 1111-7-o	gray	3	120-404	PC 1111-7-o	gray	3
☐ Enclosure - high cover	90 mm (3.54 in)	110-904	PS 1111-9-o	gray	3	120-904	PC 1111-9-o	gray	3
☐ Enclosure - low cover	66 mm (2.60 in)	111-004	PS 1111-7-to	trans.	3	130-004	PC 1111-7-to	trans.	3
☐ Enclosure - high cover	90 mm (3.54 in)	111-504	PS 1111-9-to	trans.	3	130-504	PC 1111-9-to	trans.	3

Sidewalls with Metric Knockouts

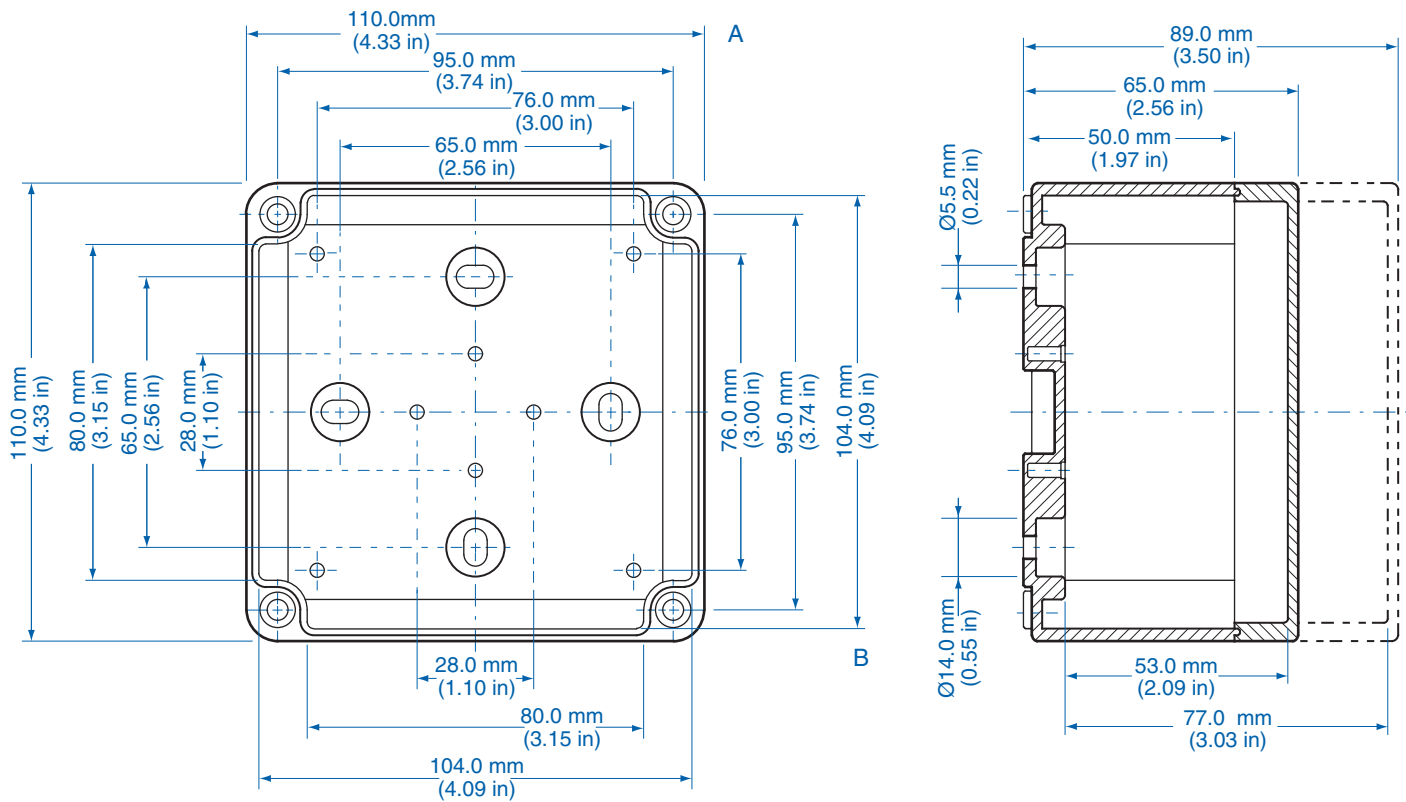
Ordering Information	Height mm (in)	Polystyrene				Polycarbonate			
		Cat. No.	Type	Cover Color	Std. Pk.	Cat. No.	Type	Cover Color	Std. Pk.
☐ Enclosure - low cover	66 mm (2.60 in)	105-404	PS 1111-7-m	gray	3	127-404	PC 1111-7-m	gray	3
☐ Enclosure - high cover	90 mm (3.54 in)	105-904	PS 1111-9-m	gray	3	127-904	PC 1111-9-m	gray	3
☐ Enclosure - low cover	66 mm (2.60 in)	106-004	PS 1111-7-tm	trans.	3	137-004	PC 1111-7-tm	trans.	3
☐ Enclosure - high cover	90 mm (3.54 in)	106-504	PS 1111-9-tm	trans.	3	137-504	PC 1111-9-tm	trans.	3

Accessories

Ordering Information	Cat. No.	Type	Std. Pk.
Mounting Plate (plastic)	195-004	TKMPI-1111	1
Mounting Plate (steel)	197-004	TKMPS-1111	1
DIN Rail TS35-81mm	198-081	TS 35/81	1
DIN Rail TS15-92mm	197-092	TS 15/92	1
Hinge Kit Set	190-002	HK1	1
Mounting Tab Kit	194-001	MT1	1

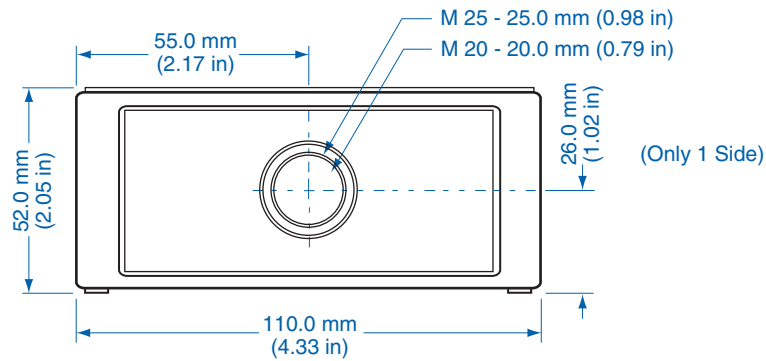
Please refer to pages 149-152 for additional accessories and detailed information.

Dimensions

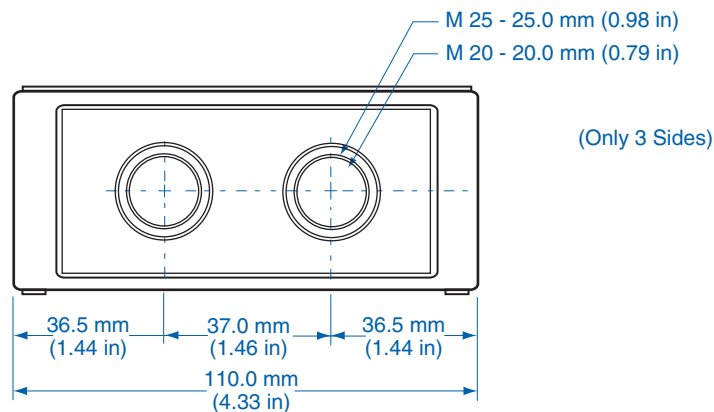


Knockout Positions

Side A



Side B



TK 1309 – Polystyrene and Polycarbonate – 130 x 94 mm (5.12 x 3.70 in.)

Standard Features

- **Protection Level:** IP66 (NEMA Type: 4X and 12/12K)
- **Technical:** Smooth or Knockout Sidewalls
Gray or Tinted Transparent Cover
Multiple Enclosure Mounting Options
- **UL Recognized**
 - Enclosure Materials:** Polystyrene or Polycarbonate
 - Gasket Material:** Polyurethane
 - Color:** Light Gray
 - Material**
 - Temperature Range:** Polystyrene
-40°C to 70°C (-40°F to 158°F)
Polycarbonate
-40°C to 120°C (-40°F to 248°F)
- **Accessories:** See section below



Smooth Sidewalls

Polystyrene

Polycarbonate

Ordering Information	Height mm (in)	Cat. No.	Type	Cover Color	Std. Pk.	Cat. No.	Type	Cover Color	Std. Pk.
☐ Enclosure - low cover	57 mm (2.24 in)	110-409	PS 1309-6-o	gray	3	120-409	PC 1309-6-o	gray	3
☐ Enclosure - high cover	81 mm (3.19 in)	110-909	PS 1309-8-o	gray	3	120-909	PC 1309-8-o	gray	3
☐ Enclosure - low cover	57 mm (2.24 in)	111-009	PS 1309-6-to	trans.	3	130-009	PC 1309-6-to	trans.	3
☐ Enclosure - high cover	81 mm (3.19 in)	111-509	PS 1309-8-to	trans.	3	130-509	PC 1309-8-to	trans.	3

Sidewalls with Metric Knockouts

Polystyrene

Polycarbonate

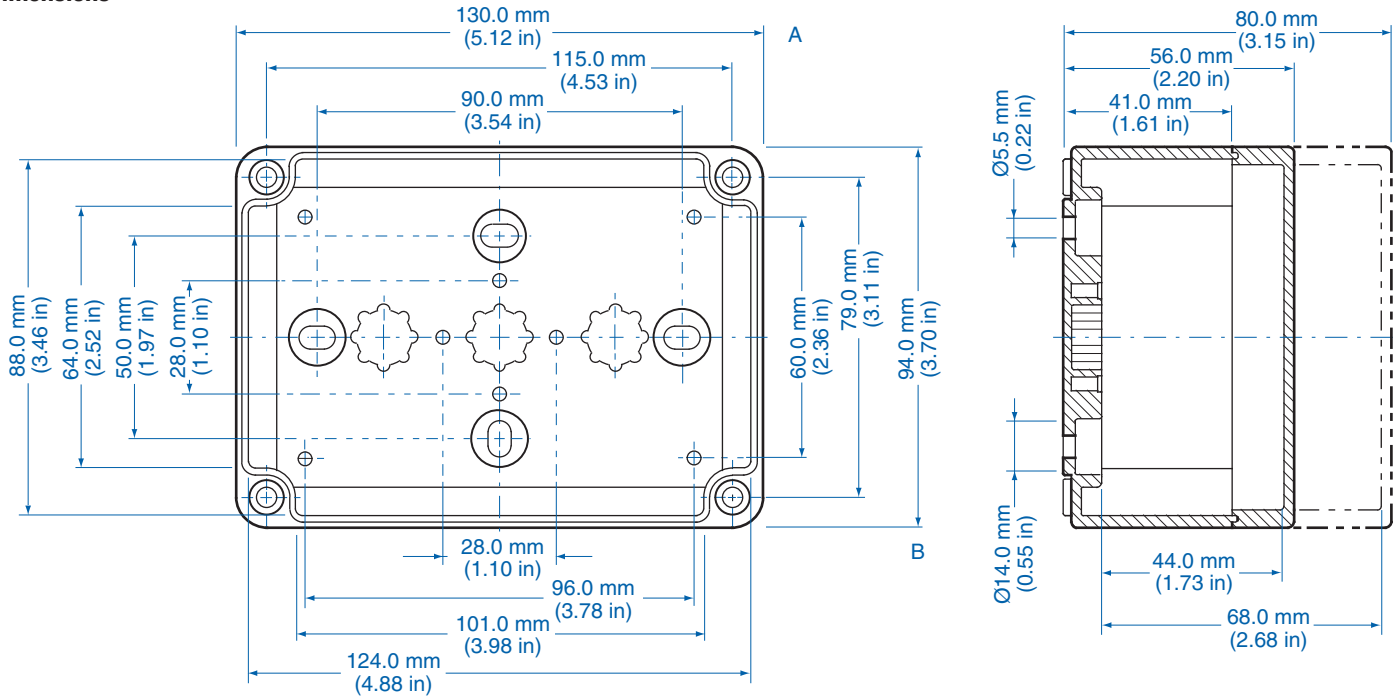
Ordering Information	Height mm (in)	Cat. No.	Type	Cover Color	Std. Pk.	Cat. No.	Type	Cover Color	Std. Pk.
☐ Enclosure - low cover	57 mm (2.24 in)	105-409	PS 1309-6-m	gray	3	127-409	PC 1309-6-m	gray	3
☐ Enclosure - high cover	81 mm (3.19 in)	105-909	PS 1309-8-m	gray	3	127-909	PC 1309-8-m	gray	3
☐ Enclosure - low cover	57 mm (2.24 in)	106-009	PS 1309-6-tm	trans.	3	137-009	PC 1309-6-tm	trans.	3
☐ Enclosure - high cover	81 mm (3.19 in)	106-509	PS 1309-8-tm	trans.	3	137-509	PC 1309-8-tm	trans.	3

Accessories

Ordering Information	Cat. No.	Type	Std. Pk.
Mounting Plate (plastic)	195-009	TKMPI-1309	1
Mounting Plate (steel)	197-009	TKMPS-1309	1
DIN Rail TS35-106mm	198-106	TS 35/106	1
DIN Rail TS15-111mm	197-111	TS 15/111	1
Hinge Kit Set	190-002	HK1	1
Mounting Tab Kit	194-001	MT1	1

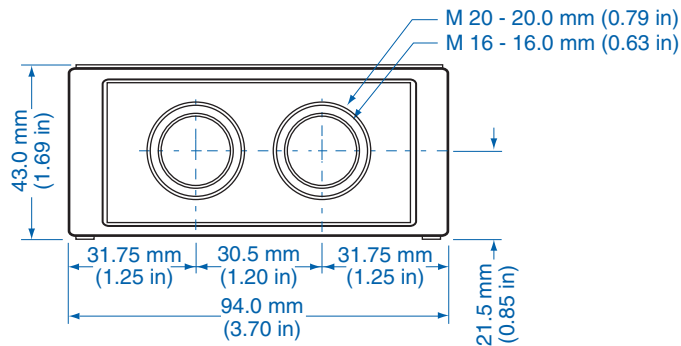
Please refer to pages 149-152 for additional accessories and detailed information.

Dimensions

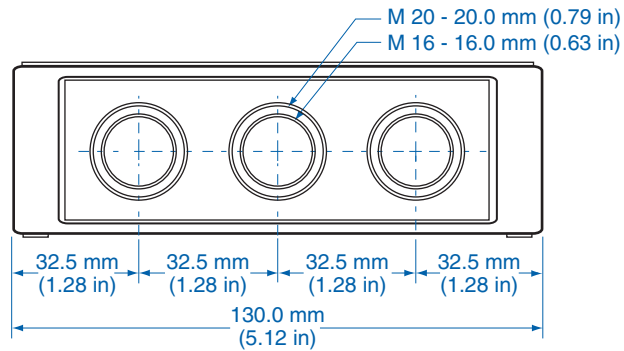


Knockout Positions

Side A



Side B



TK 1313 – Polystyrene and Polycarbonate – 130 x 130 mm (5.12 x 5.12 in.)

Standard Features

- **Protection Level:** IP66 (NEMA Type: 4X and 12/12K)
- **Technical:** Smooth or Knockout Sidewalls
Gray or Tinted Transparent Cover
Multiple Enclosure Mounting Options
- **UL Recognized**
 - Enclosure Materials:** Polystyrene or Polycarbonate
 - **Gasket Material:** Polyurethane
 - **Color:** Light Gray
 - **Material**
 - Temperature Range:** Polystyrene
-40°C to 70°C (-40°F to 158°F)
Polycarbonate
-40°C to 120°C (-40°F to 248°F)
- **Accessories:** See section below



Smooth Sidewalls

Polystyrene

Polycarbonate

Ordering Information	Height mm (in)	Cat. No.	Type	Cover Color	Std. Pk.	Cat. No.	Type	Cover Color	Std. Pk.
☐ Enclosure - low cover	75 mm (2.95 in)	110-405	PS 1313-7-o	gray	2	120-405	PC 1313-7-o	gray	2
☐ Enclosure - high cover	99 mm (3.90 in)	110-905	PS 1313-10-o	gray	2	120-905	PC 1313-10-o	gray	2
☐ Enclosure - low cover	75 mm (2.95 in)	111-005	PS 1313-7-to	trans.	2	130-005	PC 1313-7-to	trans.	2
☐ Enclosure - high cover	99 mm (3.90 in)	111-505	PS 1313-10-to	trans.	2	130-505	PC 1313-10-to	trans.	2

Sidewalls with Metric Knockouts

Polystyrene

Polycarbonate

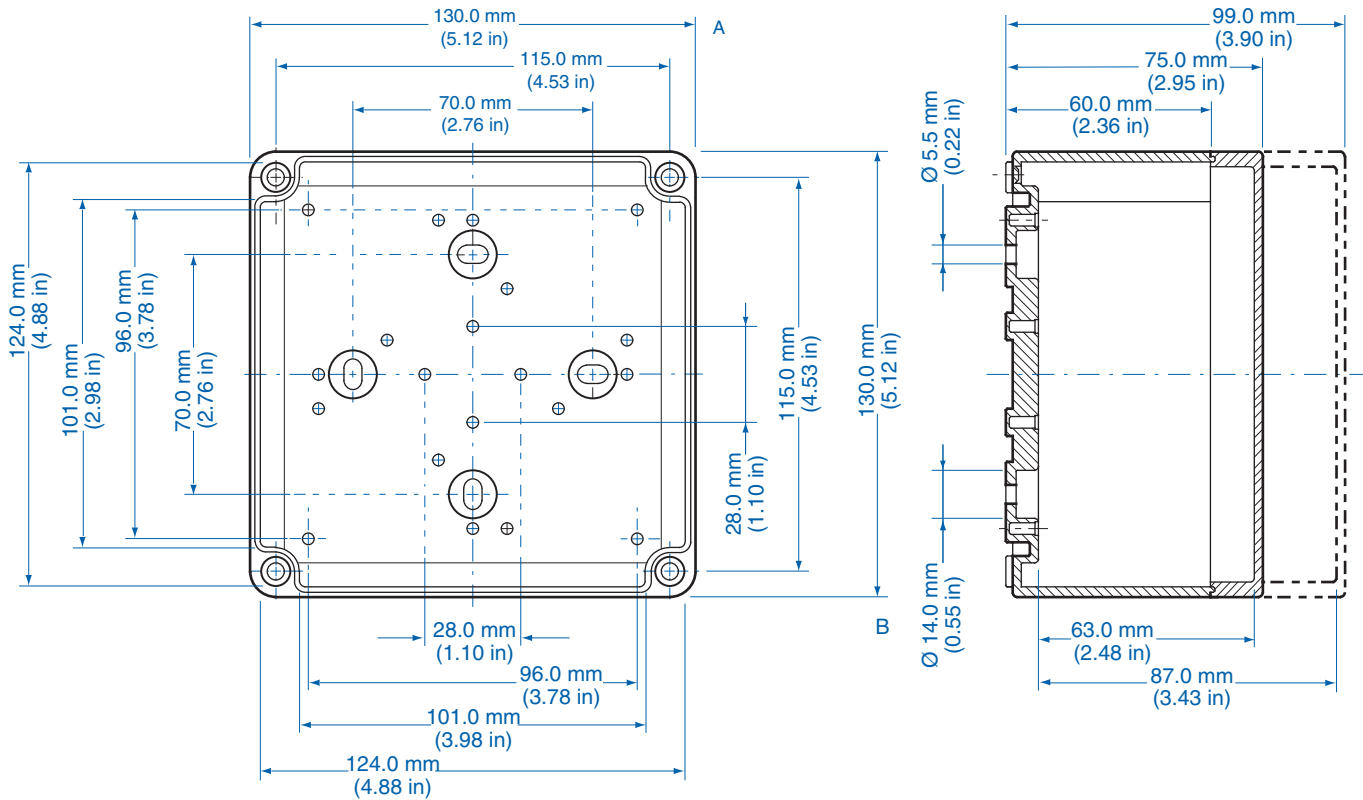
Ordering Information	Height mm (in)	Cat. No.	Type	Cover Color	Std. Pk.	Cat. No.	Type	Cover Color	Std. Pk.
☐ Enclosure - low cover	75 mm (2.95 in)	105-405	PS 1313-7-m	gray	2	127-405	PC 1313-7-m	gray	2
☐ Enclosure - high cover	99 mm (3.90 in)	105-905	PS 1313-10-m	gray	2	127-905	PC 1313-10-m	gray	2
☐ Enclosure - low cover	75 mm (2.95 in)	106-005	PS 1313-7-tm	trans.	2	137-005	PC 1313-7-tm	trans.	2
☐ Enclosure - high cover	99 mm (3.90 in)	106-505	PS 1313-10-tm	trans.	2	137-505	PC 1313-10-tm	trans.	2

Accessories

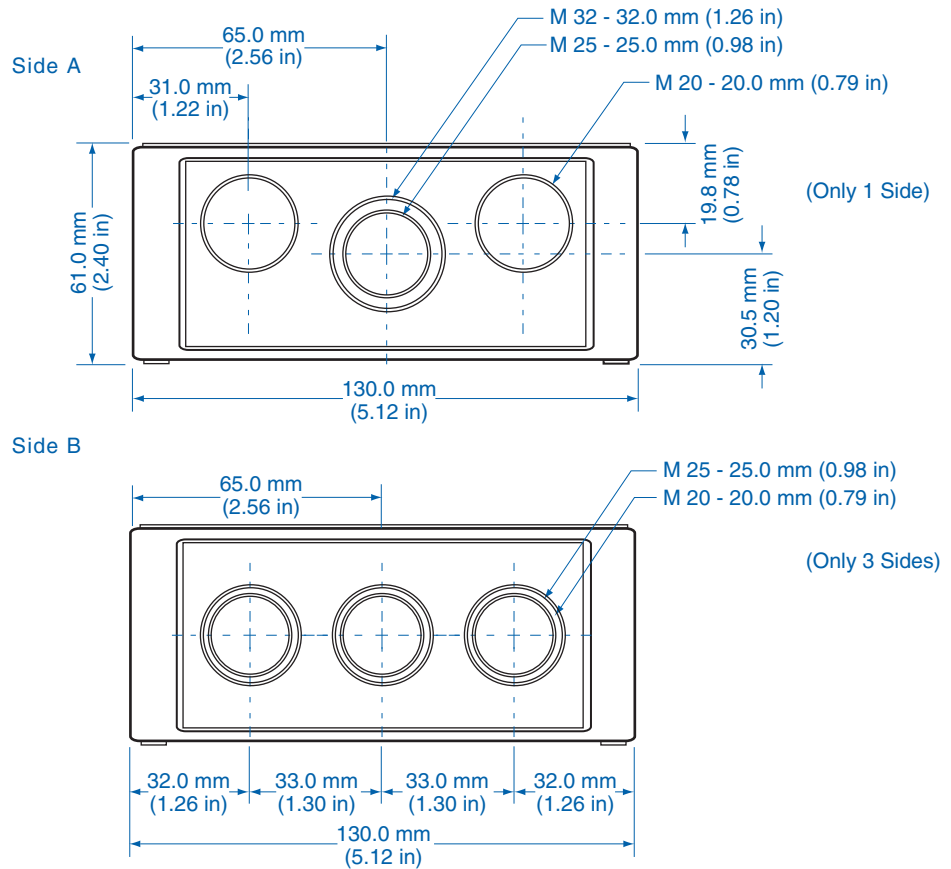
Ordering Information	Cat. No.	Type	Std. Pk.
Mounting Plate (plastic)	195-005	TKMPI-1313	1
Mounting Plate (steel)	197-005	TKMPS-1313	1
DIN Rail TS35-106mm	198-106	TS 35/106	1
DIN Rail TS15-111mm	197-111	TS 15/111	1
Hinge Kit Set	190-002	HK1	1
Mounting Tab Kit	194-001	MT1	1

Please refer to pages 149-152 for additional accessories and detailed information.

Dimensions



Knockout Positions



TK 1809 – Polystyrene and Polycarbonate – 180 x 94 mm (7.09 x 3.70 in.)

Standard Features

- **Protection Level:** IP66 (NEMA Type: 4X and 12/12K)
- **Technical:** Smooth or Knockout Sidewalls
Gray or Tinted Transparent Cover
Multiple Enclosure Mounting Options
- **UL Recognized**
 - Enclosure Materials:** Polystyrene or Polycarbonate
 - Gasket Material:** Polyurethane
 - Color:** Light Gray
 - Material**
 - Temperature Range:** Polystyrene
-40°C to 70°C (-40°F to 158°F)
Polycarbonate
-40°C to 120°C (-40°F to 248°F)
- **Accessories:** See section below



Smooth Sidewalls

Polystyrene

Polycarbonate

Ordering Information	Height mm (in)	Cat. No.	Type	Cover Color	Std. Pk.	Cat. No.	Type	Cover Color	Std. Pk.
☐ Enclosure - low cover	57 mm (2.24 in)	110-410	PS 1809-6-o	gray	2	120-410	PC 1809-6-o	gray	2
☐ Enclosure - high cover	81 mm (3.19 in)	110-910	PS 1809-8-o	gray	2	120-910	PC 1809-8-o	gray	2
☐ Enclosure - low cover	57 mm (2.24 in)	111-010	PS 1809-6-to	trans.	2	130-010	PC 1809-6-to	trans.	2
☐ Enclosure - high cover	81 mm (3.19 in)	111-510	PS 1809-8-to	trans.	2	130-510	PC 1809-8-to	trans.	2

Sidewalls with Metric Knockouts

Polystyrene

Polycarbonate

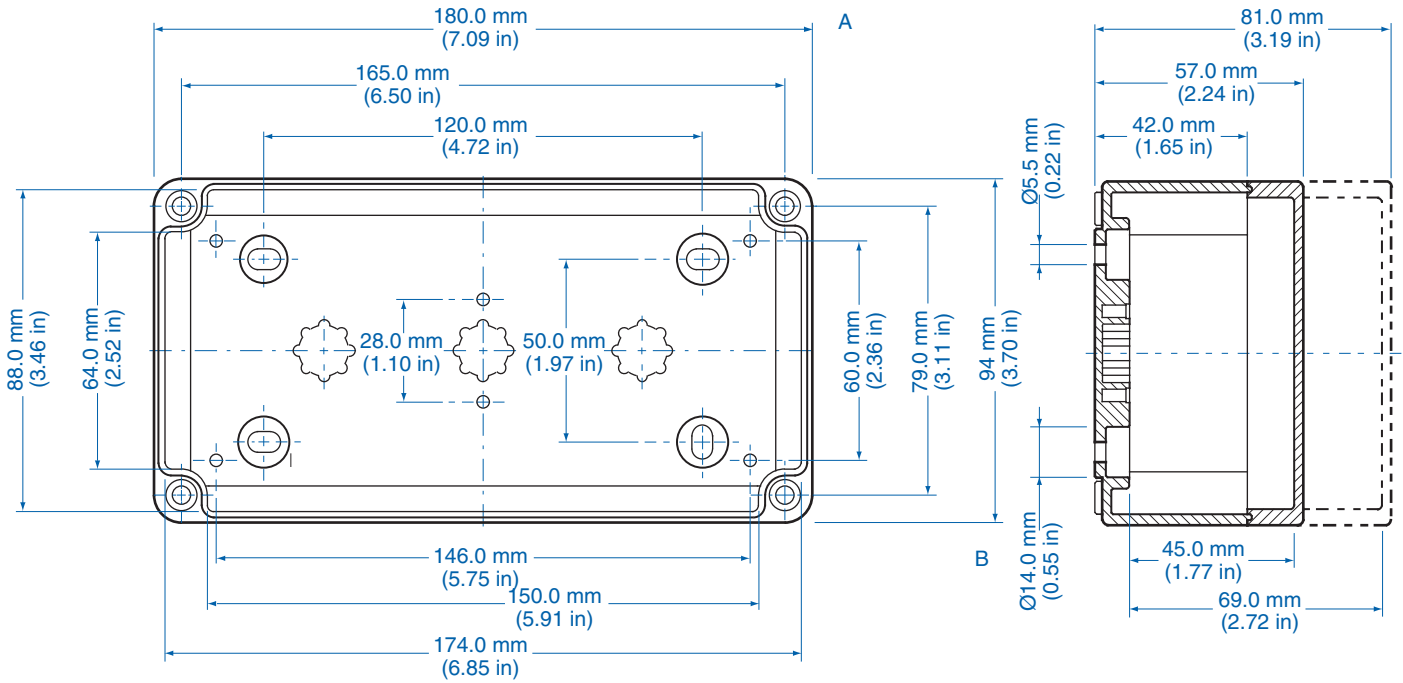
Ordering Information	Height mm (in)	Cat. No.	Type	Cover Color	Std. Pk.	Cat. No.	Type	Cover Color	Std. Pk.
☐ Enclosure - low cover	57 mm (2.24 in)	105-410	PS 1809-6-m	gray	2	127-410	PC 1809-6-m	gray	2
☐ Enclosure - high cover	81 mm (3.19 in)	105-910	PS 1809-8-m	gray	2	127-910	PC 1809-8-m	gray	2
☐ Enclosure - low cover	57 mm (2.24 in)	106-010	PS 1809-6-tm	trans.	2	137-010	PC 1809-6-tm	trans.	2
☐ Enclosure - high cover	81 mm (3.19 in)	106-510	PS 1809-8-tm	trans.	2	137-510	PC 1809-8-tm	trans.	2

Accessories

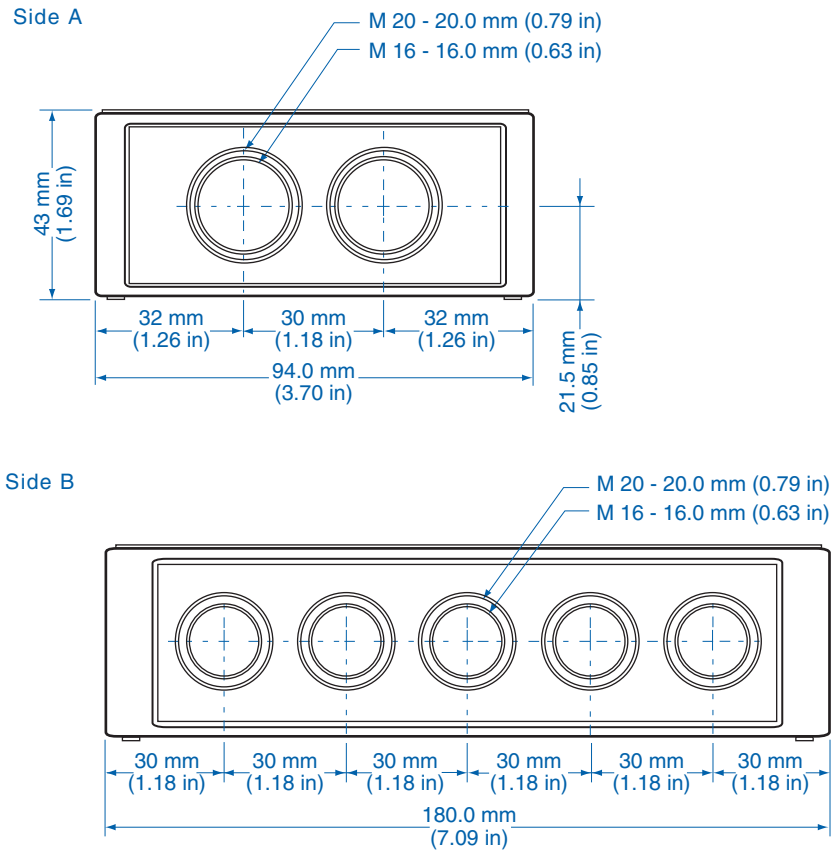
Ordering Information	Cat. No.	Type	Std. Pk.
Mounting Plate (plastic)	195-010	TKMPI-1809	1
Mounting Plate (steel)	197-010	TKMPS-1809	1
DIN Rail TS35-144mm	198-144	TS 35/144	1
DIN Rail TS15-154mm	197-154	TS 15/154	1
Hinge Kit Set	190-002	HK1	1
Mounting Tab Kit	194-001	MT1	1

Please refer to pages 149-152 for additional accessories and detailed information.

Dimensions



Knockout Positions



TK 1811f – Polystyrene and Polycarbonate – 180 x 110 mm (7.09 x 4.33 in.)

Standard Features

- **Protection Level:** IP66 (NEMA Type: 4X and 12/12K)
- **Technical:** Smooth or Knockout Sidewalls
Gray or Tinted Transparent Cover
Multiple Enclosure Mounting Options
- **UL Recognized**
 - Enclosure Materials:** Polystyrene or Polycarbonate
 - Gasket Material:** Polyurethane
 - Color:** Light Gray
 - Material**
 - Temperature Range:** Polystyrene
-40°C to 70°C (-40°F to 158°F)
Polycarbonate
-40°C to 120°C (-40°F to 248°F)
- **Accessories:** See section below



Smooth Sidewalls

Polystyrene

Polycarbonate

Ordering Information	Height mm (in)	Cat. No.	Type	Cover Color	Std. Pk.	Cat. No.	Type	Cover Color	Std. Pk.
☐ Enclosure - low cover	63 mm (2.48 in)	110-414	PS 1811-6f-o	gray	2	120-414	PC 1811-6f-o	gray	2
☐ Enclosure - high cover	84 mm (3.31 in)	110-914	PS 1811-8f-o	gray	2	120-914	PC 1811-8f-o	gray	2
☐ Enclosure - top hat cover	137 mm (5.39 in)	109-414	PS 1811-13f-o	gray	2	121-414	PC 1811-13f-o	gray	2
☐ Enclosure - low cover	63 mm (2.48 in)	111-014	PS 1811-6f-to	trans.	2	130-014	PC 1811-6f-to	trans.	2
☐ Enclosure - high cover	84 mm (3.31 in)	111-514	PS 1811-8f-to	trans.	2	130-514	PC 1811-8f-to	trans.	2
☐ Enclosure - top hat cover	137 mm (5.39 in)	112-014	PS 1811-13f-to	trans.	2	131-014	PC 1811-13f-to	trans.	2

Sidewalls with Metric Knockouts

Polystyrene

Polycarbonate

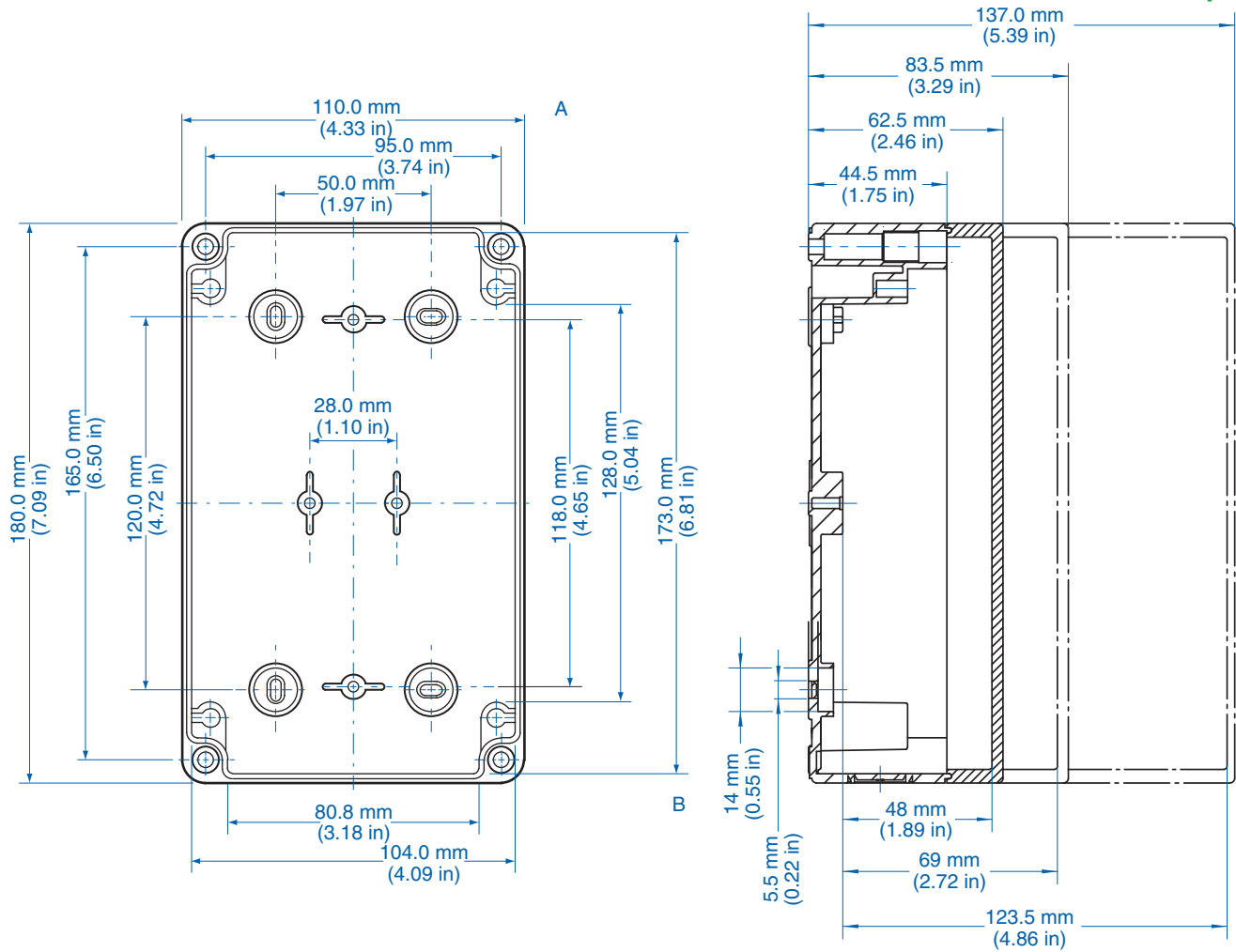
Ordering Information	Height mm (in)	Cat. No.	Type	Cover Color	Std. Pk.	Cat. No.	Type	Cover Color	Std. Pk.
☐ Enclosure - low cover	63 mm (2.48 in)	105-414	PS 1811-6f-m	gray	2	127-414	PC 1811-6f-m	gray	2
☐ Enclosure - high cover	84 mm (3.31 in)	105-914	PS 1811-8f-m	gray	2	127-914	PC 1811-8f-m	gray	2
☐ Enclosure - top hat cover	137 mm (5.39 in)	104-414	PS 1811-13f-m	gray	2	128-414	PC 1811-13f-m	gray	2
☐ Enclosure - low cover	63 mm (2.48 in)	106-014	PS 1811-6f-tm	trans.	2	137-014	PC 1811-6f-tm	trans.	2
☐ Enclosure - high cover	84 mm (3.31 in)	106-514	PS 1811-8f-tm	trans.	2	137-514	PC 1811-8f-tm	trans.	2
☐ Enclosure - top hat cover	137 mm (5.39 in)	107-014	PS 1811-13f-tm	trans.	2	138-014	PC 1811-13f-tm	trans.	2

Accessories

Ordering Information	Cat. No.	Type	Std. Pk.
Mounting Plate (plastic)	195-006	TKMPI-1811	1
Mounting Plate (steel)	197-006	TKMPS-1811	1
DIN Rail TS35-144mm	198-144	TS 35/144	1
Hinge Kit Set	190-005	HK2	1
Mounting Tab Kit	194-001	MT1	1

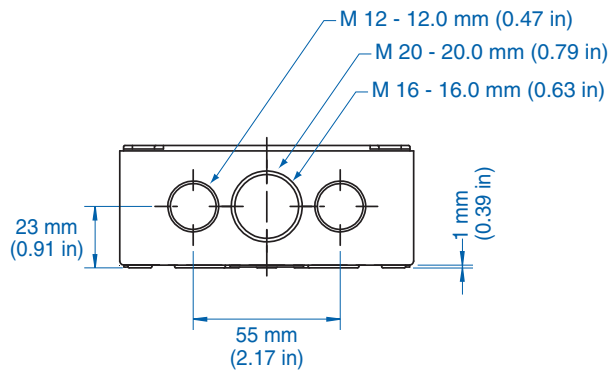
Please refer to pages 149-152 for additional accessories and detailed information.

Dimensions

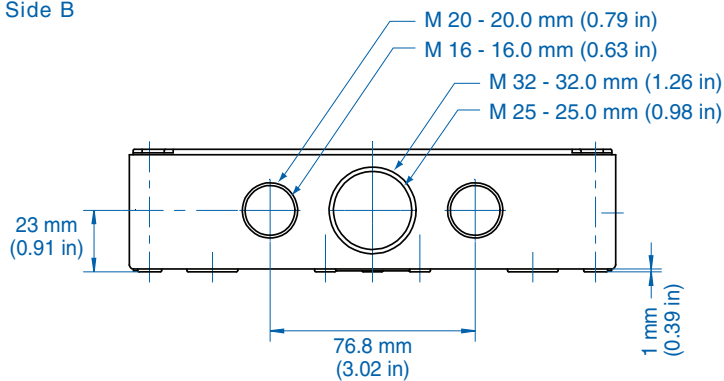


Knockout Positions

Side A



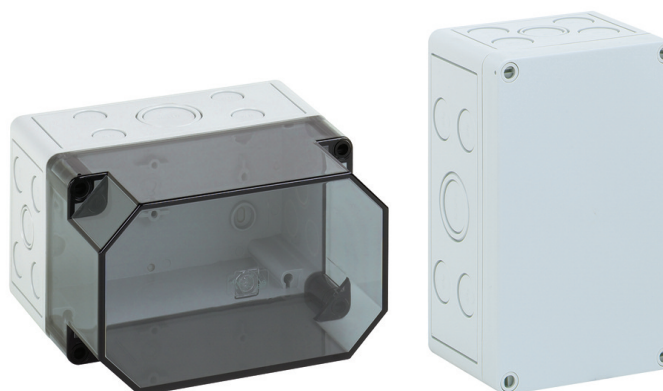
Side B



TK 1811 – Polystyrene and Polycarbonate – 180 x 110 mm (7.09 x 4.33 in.)

Standard Features

- **Protection Level:** IP66 (NEMA Type: 4X and 12/12K)
- **Technical:** Smooth or Knockout Sidewalls
Gray or Tinted Transparent Cover
Multiple Enclosure Mounting Options
- **UL Recognized**
 - **Enclosure Materials:** Polystyrene or Polycarbonate
 - **Gasket Material:** Polyurethane
 - **Color:** Light Gray
 - **Material**
 - **Temperature Range:** Polystyrene
-40°C to 70°C (-40°F to 158°F)
Polycarbonate
-40°C to 120°C (-40°F to 248°F)
- **Accessories:** See section below



Smooth Sidewalls

Polystyrene

Polycarbonate

Ordering Information	Height mm (in)	Cat. No.	Type	Cover Color	Std. Pk.	Cat. No.	Type	Cover Color	Std. Pk.
<input type="checkbox"/> Enclosure - low cover	90 mm (3.54 in)	110-406	PS 1811-9-o	gray	2	120-406	PC 1811-9-o	gray	2
<input type="checkbox"/> Enclosure - high cover	111 mm (4.37 in)	110-906	PS 1811-11-o	gray	2	120-906	PC 1811-11-o	gray	2
<input type="checkbox"/> Enclosure - top hat cover	165 mm (6.50 in)	109-406	PS 1811-16-o	gray	2	121-406	PC 1811-16-o	gray	2
<input type="checkbox"/> Enclosure - low cover	90 mm (3.54 in)	111-006	PS 1811-9-to	trans.	2	130-006	PC 1811-9-to	trans.	2
<input type="checkbox"/> Enclosure - high cover	111 mm (4.37 in)	111-506	PS 1811-11-to	trans.	2	130-506	PC 1811-11-to	trans.	2
<input type="checkbox"/> Enclosure - top hat cover	165 mm (6.50 in)	112-006	PS 1811-16-to	trans.	2	131-006	PC 1811-16-to	trans.	2

Sidewalls with Metric Knockouts

Polystyrene

Polycarbonate

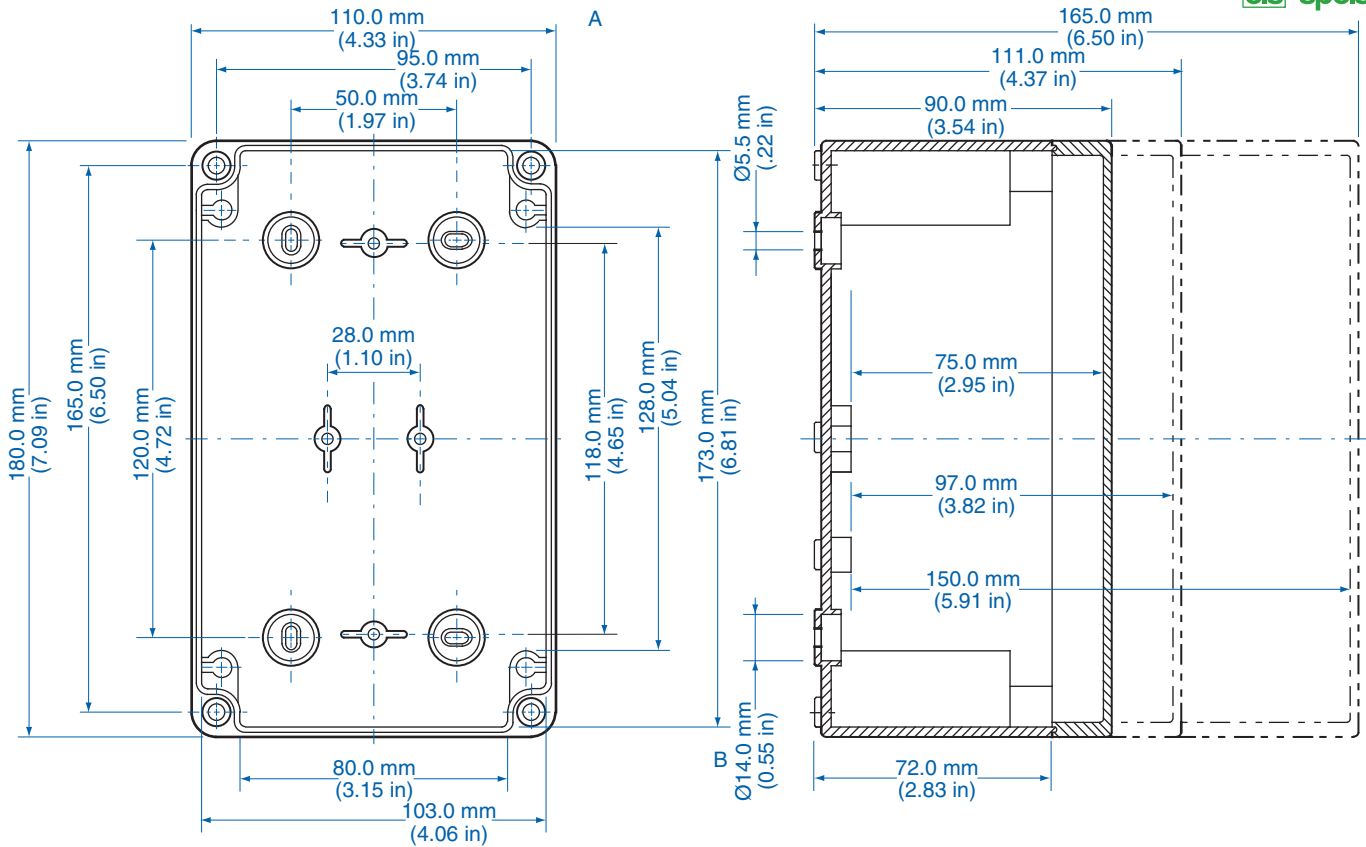
Ordering Information	Height mm (in)	Cat. No.	Type	Cover Color	Std. Pk.	Cat. No.	Type	Cover Color	Std. Pk.
<input type="checkbox"/> Enclosure - low cover	90 mm (3.54 in)	105-406	PS 1811-9-m	gray	2	127-406	PC 1811-9-m	gray	2
<input type="checkbox"/> Enclosure - high cover	111 mm (4.37 in)	105-906	PS 1811-11-m	gray	2	127-906	PC 1811-11-m	gray	2
<input type="checkbox"/> Enclosure - top hat cover	165 mm (6.50 in)	104-406	PS 1811-16-m	gray	2	128-406	PC 1811-16-m	gray	2
<input type="checkbox"/> Enclosure - low cover	90 mm (3.54 in)	106-006	PS 1811-9-tm	trans.	2	137-006	PC 1811-9-tm	trans.	2
<input type="checkbox"/> Enclosure - high cover	111 mm (4.37 in)	106-506	PS 1811-11-tm	trans.	2	137-506	PC 1811-11-tm	trans.	2
<input type="checkbox"/> Enclosure - top hat cover	165 mm (6.50 in)	107-006	PS 1811-16-tm	trans.	2	138-006	PC 1811-16-tm	trans.	2

Accessories

Ordering Information	Cat. No.	Type	Std. Pk.
Mounting Plate (plastic)	195-006	TKMPI-1811	1
Mounting Plate (steel)	197-006	TKMPS-1811	1
DIN Rail TS35-144mm	198-144	TS 35/144	1
Hinge Kit Set	190-005	HK2	1
Mounting Tab Kit	194-001	MT1	1

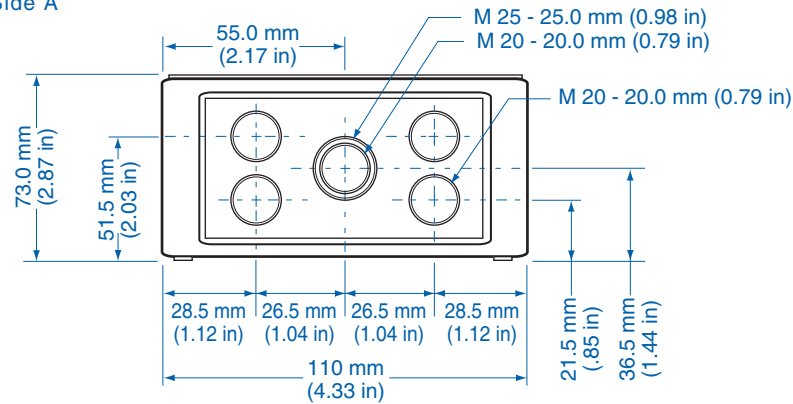
Please refer to pages 149-152 for additional accessories and detailed information.

Dimensions

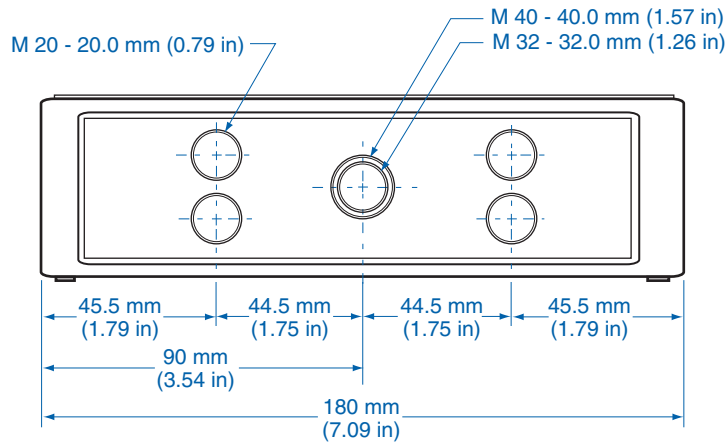


Knockout Positions

Side A



Side B





Standard Features

- **Protection Level:** IP66 (NEMA Type: 4X and 12/12K)
- **Technical:** Smooth or Knockout Sidewalls
Gray or Tinted Transparent Cover
Multiple Enclosure Mounting Options
- **UL Recognized**
 - Enclosure Materials:** Polystyrene or Polycarbonate
 - Gasket Material:** Polyurethane
 - Color:** Light Gray
 - Material**
 - Temperature Range:** Polystyrene
-40°C to 70°C (-40°F to 158°F)
Polycarbonate
-40°C to 120°C (-40°F to 248°F)
- **Accessories:** See section below



Smooth Sidewalls

Polystyrene

Polycarbonate

Ordering Information	Height mm (in)	Cat. No.	Type	Cover Color	Std. Pk.	Cat. No.	Type	Cover Color	Std. Pk.
☐ Enclosure - low cover	63 mm (2.48 in)	110-415	PS 1813-6f-o	gray	2	120-415	PC 1813-6f-o	gray	2
☐ Enclosure - high cover	84 mm (3.31 in)	110-915	PS 1813-8f-o	gray	2	120-915	PC 1813-8f-o	gray	2
☐ Enclosure - top hat cover	137 mm (5.39 in)	109-415	PS 1813-13f-o	gray	1	121-415	PC 1813-13f-o	gray	1
☐ Enclosure - low cover	63 mm (2.48 in)	111-015	PS 1813-6f-to	trans.	2	130-015	PC 1813-6f-to	trans.	2
☐ Enclosure - high cover	84 mm (3.31 in)	111-515	PS 1813-8f-to	trans.	2	130-515	PC 1813-8f-to	trans.	2
☐ Enclosure - top hat cover	137 mm (5.39 in)	112-015	PS 1813-13f-to	trans.	1	131-015	PC 1813-13f-to	trans.	1

Sidewalls with Metric Knockouts

Polystyrene

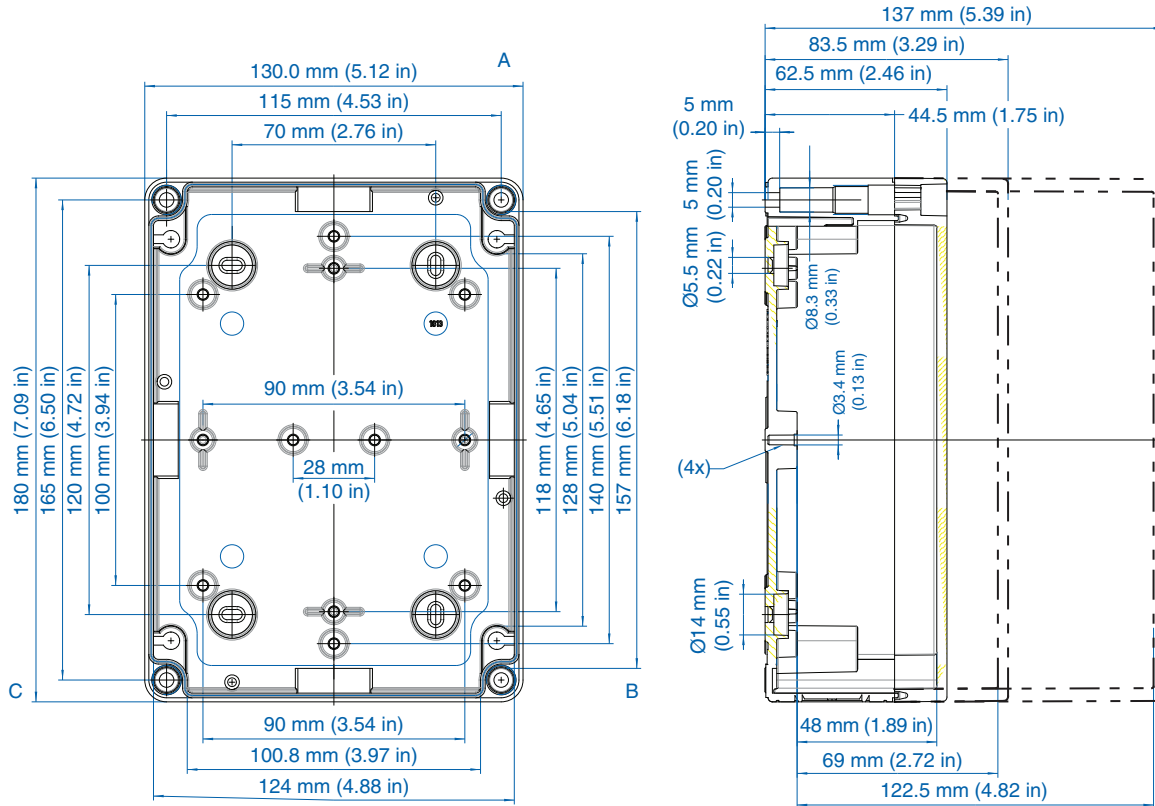
Polycarbonate

Ordering Information	Height mm (in)	Cat. No.	Type	Cover Color	Std. Pk.	Cat. No.	Type	Cover Color	Std. Pk.
☐ Enclosure - low cover	63 mm (2.48 in)	105-415	PS 1813-6f-m	gray	2	127-415	PC 1813-6f-m	gray	2
☐ Enclosure - high cover	84 mm (3.31 in)	105-915	PS 1813-8f-m	gray	2	127-915	PC 1813-8f-m	gray	2
☐ Enclosure - top hat cover	137 mm (5.39 in)	104-415	PS 1813-13f-m	gray	1	128-415	PC 1813-13f-m	gray	1
☐ Enclosure - low cover	63 mm (2.48 in)	106-015	PS 1813-6f-tm	trans.	2	137-015	PC 1813-6f-tm	trans.	2
☐ Enclosure - high cover	84 mm (3.31 in)	106-515	PS 1813-8f-tm	trans.	2	137-515	PC 1813-8f-tm	trans.	2
☐ Enclosure - top hat cover	137 mm (5.39 in)	107-015	PS 1813-13f-tm	trans.	1	138-015	PC 1813-13f-tm	trans.	1

Accessories

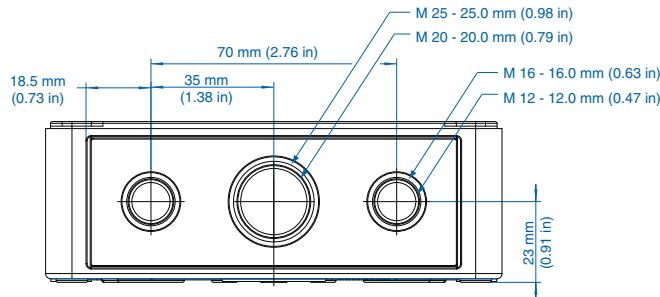
Ordering Information	Cat. No.	Type	Std. Pk.
Mounting Plate (plastic)	195-011	TKMPI-1813	1
Mounting Plate (steel)	197-011	TKMPS-1813	1
DIN Rail TS35-144mm	198-144	TS 35/144	1
Hinge Kit Set	190-005	HK2	1
Mounting Tab Kit	194-001	MT1	1

Please refer to pages 149-152 for additional accessories and detailed information.

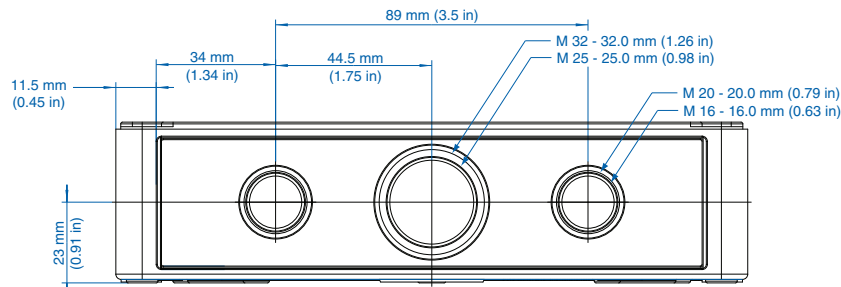


Knockout Positions

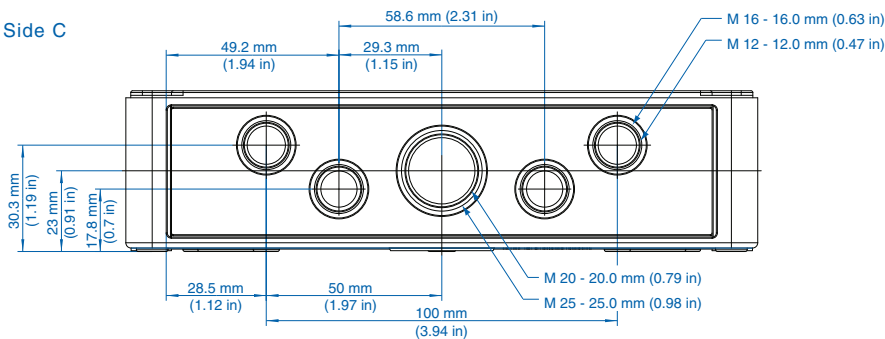
Side A (2x)



Side B



Side C





Standard Features

- **Protection Level:** IP66 (NEMA Type: 4X and 12/12K)
- **Technical:** Smooth or Knockout Sidewalls
Gray or Tinted Transparent Cover
Multiple Enclosure Mounting Options
- **UL Recognized**
 - Enclosure Materials:** Polystyrene or Polycarbonate
 - Gasket Material:** Polyurethane
 - Color:** Light Gray
 - Material**
 - Temperature Range:** Polystyrene
-40°C to 70°C (-40°F to 158°F)
Polycarbonate
-40°C to 120°C (-40°F to 248°F)
- **Accessories:** See section below



Smooth Sidewalls

Polystyrene

Polycarbonate

Ordering Information	Height mm (in)	Cat. No.	Type	Cover Color	Std. Pk.	Cat. No.	Type	Cover Color	Std. Pk.
<input type="checkbox"/> Enclosure - low cover	90 mm (3.54 in)	110-416	PS 1813-9-o	gray	2	120-416	PC 1813-9-o	gray	2
<input type="checkbox"/> Enclosure - high cover	111 mm (4.37 in)	110-916	PS 1813-11-o	gray	2	120-916	PC 1813-11-o	gray	2
<input type="checkbox"/> Enclosure - top hat cover	165 mm (6.50 in)	109-416	PS 1813-16-o	gray	1	121-416	PC 1813-16-o	gray	1
<input type="checkbox"/> Enclosure - low cover	90 mm (3.54 in)	111-016	PS 1813-9-to	trans.	2	130-016	PC 1813-9-to	trans.	2
<input type="checkbox"/> Enclosure - high cover	111 mm (4.37 in)	111-516	PS 1813-11-to	trans.	2	130-516	PC 1813-11-to	trans.	2
<input type="checkbox"/> Enclosure - top hat cover	165 mm (6.50 in)	112-016	PS 1813-16-to	trans.	1	131-016	PC 1813-16-to	trans.	1

Sidewalls with Metric Knockouts

Polystyrene

Polycarbonate

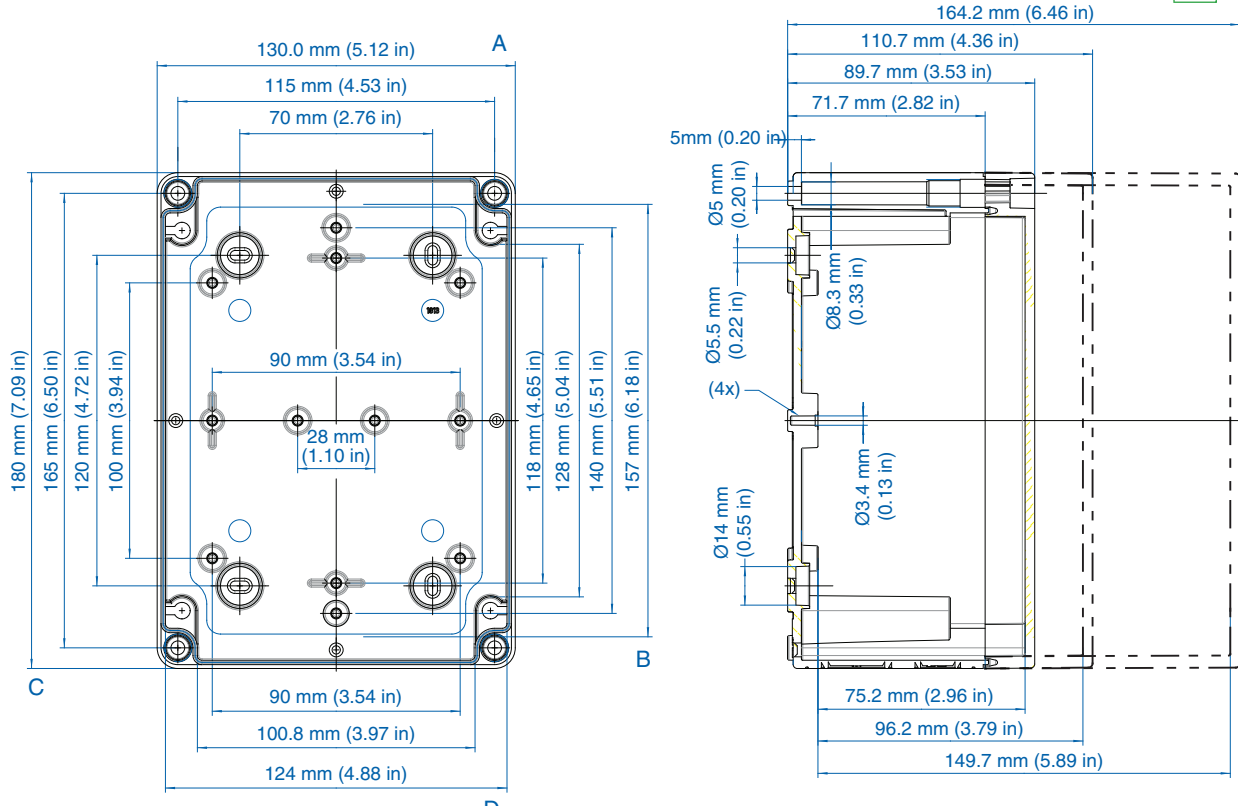
Ordering Information	Height mm (in)	Cat. No.	Type	Cover Color	Std. Pk.	Cat. No.	Type	Cover Color	Std. Pk.
<input type="checkbox"/> Enclosure - low cover	90 mm (3.54 in)	105-416	PS 1813-9-m	gray	2	127-416	PC 1813-9-m	gray	2
<input type="checkbox"/> Enclosure - high cover	111 mm (4.37 in)	105-916	PS 1813-11-m	gray	2	127-916	PC 1813-11-m	gray	2
<input type="checkbox"/> Enclosure - top hat cover	165 mm (6.50 in)	104-416	PS 1813-16-m	gray	1	128-416	PC 1813-16-m	gray	1
<input type="checkbox"/> Enclosure - low cover	90 mm (3.54 in)	106-016	PS 1813-9-tm	trans.	2	137-016	PC 1813-9-tm	trans.	2
<input type="checkbox"/> Enclosure - high cover	111 mm (4.37 in)	106-516	PS 1813-11-tm	trans.	2	137-516	PC 1813-11-tm	trans.	2
<input type="checkbox"/> Enclosure - top hat cover	165 mm (6.50 in)	107-016	PS 1813-16-tm	trans.	1	138-016	PC 1813-16-tm	trans.	1

Accessories

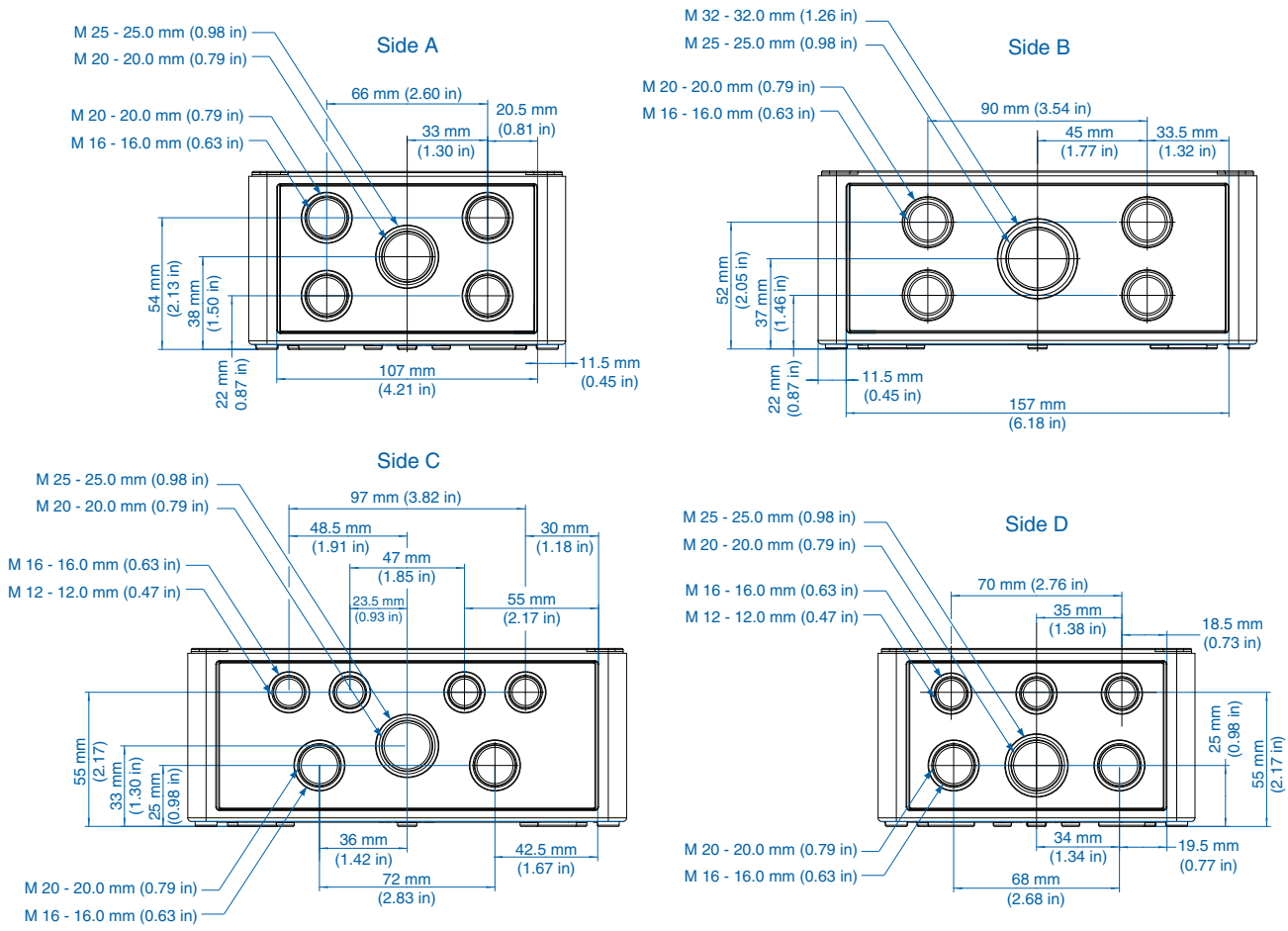
Ordering Information	Cat. No.	Type	Std. Pk.
Mounting Plate (plastic)	195-011	TKMPI-1813	1
Mounting Plate (steel)	197-011	TKMPS-1813	1
DIN Rail TS35-144mm	198-144	TS 35/144	1
Hinge Kit Set	190-005	HK2	1
Mounting Tab Kit	194-001	MT1	1

Please refer to pages 149-152 for additional accessories and detailed information.

Dimensions



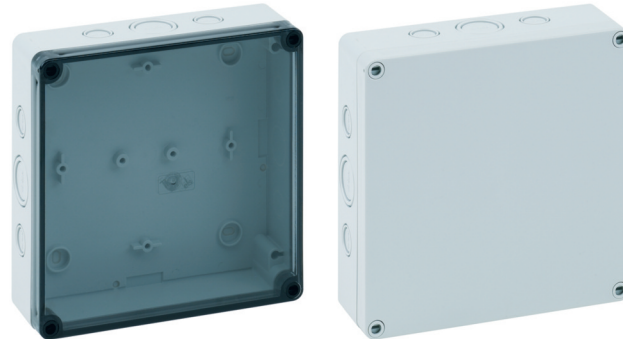
Knockout Positions



TK 1818f – Polystyrene and Polycarbonate – 182 x 180 mm (7.17 x 7.09 in.)

Standard Features

- **Protection Level:** IP66 (NEMA Type: 4X and 12/12K)
- **Technical:** Smooth or Knockout Sidewalls
Gray or Tinted Transparent Cover
Multiple Enclosure Mounting Options
- **UL Recognized**
 - **Enclosure Materials:** Polystyrene or Polycarbonate
 - **Gasket Material:** Polyurethane
 - **Color:** Light Gray
 - **Material**
 - **Temperature Range:** Polystyrene
-40°C to 70°C (-40°F to 158°F)
Polycarbonate
-40°C to 120°C (-40°F to 248°F)
- **Accessories:** See section below



Smooth Sidewalls

Polystyrene

Polycarbonate

Ordering Information	Height mm (in)	Cat. No.	Type	Cover Color	Std. Pk.	Cat. No.	Type	Cover Color	Std. Pk.
Enclosure - low cover	63 mm (2.48 in)	110-413	PS 1818-6f-o	gray	2	120-413	PC 1818-6f-o	gray	2
Enclosure - high cover	84 mm (3.31 in)	110-913	PS 1818-8f-o	gray	2	120-913	PC 1818-8f-o	gray	2
Enclosure - top hat cover	137 mm (5.39 in)	109-413	PS 1818-13f-o	gray	1	121-413	PC 1818-13f-o	gray	1
Enclosure - low cover	63 mm (2.48 in)	111-013	PS 1818-6f-to	trans.	2	130-013	PC 1818-6f-to	trans.	2
Enclosure - high cover	84 mm (3.31 in)	111-513	PS 1818-8f-to	trans.	2	130-513	PC 1818-8f-to	trans.	2
Enclosure - top hat cover	137 mm (5.39 in)	112-013	PS 1818-13f-to	trans.	1	131-013	PC 1818-13f-to	trans.	1

Sidewalls with Metric Knockouts

Polystyrene

Polycarbonate

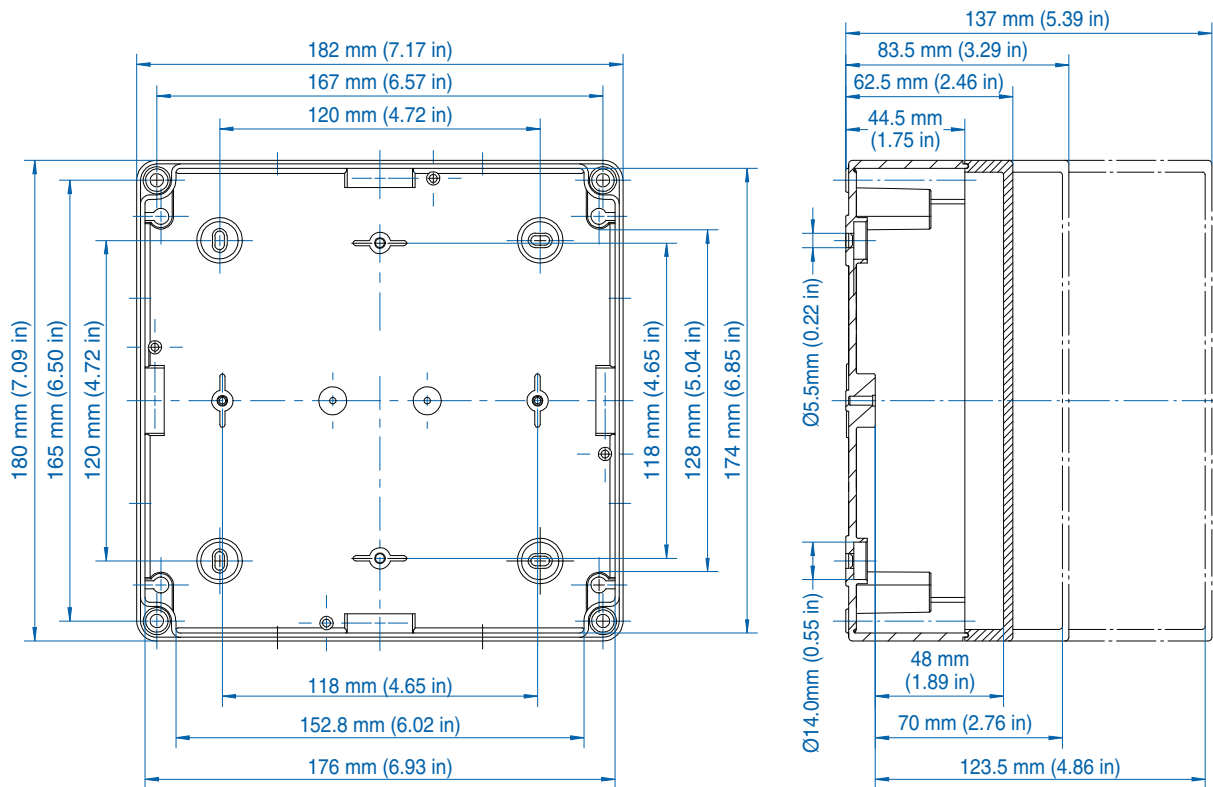
Ordering Information	Height mm (in)	Cat. No.	Type	Cover Color	Std. Pk.	Cat. No.	Type	Cover Color	Std. Pk.
Enclosure - low cover	63 mm (2.48 in)	105-413	PS 1818-6f-m	gray	2	127-413	PC 1818-6f-m	gray	2
Enclosure - high cover	84 mm (3.31 in)	105-913	PS 1818-8f-m	gray	2	127-913	PC 1818-8f-m	gray	2
Enclosure - top hat cover	137 mm (5.39 in)	104-413	PS 1818-13f-m	gray	1	128-413	PC 1818-13f-m	gray	1
Enclosure - low cover	63 mm (2.48 in)	106-013	PS 1818-6f-tm	trans.	2	137-013	PC 1818-6f-tm	trans.	2
Enclosure - high cover	84 mm (3.31 in)	106-513	PS 1818-8f-tm	trans.	2	137-513	PC 1818-8f-tm	trans.	2
Enclosure - top hat cover	137 mm (5.39 in)	107-013	PS 1818-13f-tm	trans.	1	138-013	PC 1818-13f-tm	trans.	1

Accessories

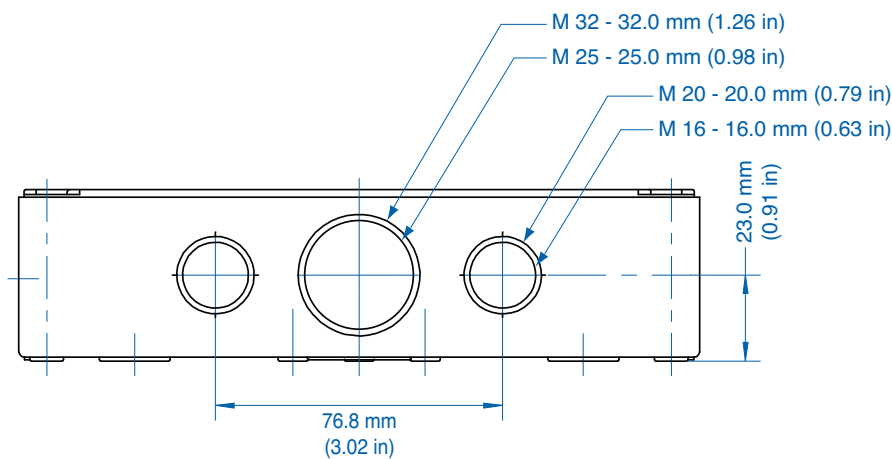
Ordering Information	Cat. No.	Type	Std. Pk.
Mounting Plate (plastic)	195-007	TKMPI-1818	1
Mounting Plate (steel)	197-007	TKMPS-1818	1
DIN Rail TS35-144mm	198-144	TS 35/144	1
Hinge Kit Set	190-005	HK2	1
Mounting Tab Kit	194-001	MT1	1

Please refer to pages 149-152 for additional accessories and detailed information.

Dimensions



Knockout Positions



TK 1818 – Polystyrene and Polycarbonate – 182 x 180 mm (7.17 x 7.09 in.)

Standard Features

- **Protection Level:** IP66 (NEMA Type: 4X and 12/12K)
- **Technical:** Smooth or Knockout Sidewalls
Gray or Tinted Transparent Cover
Multiple Enclosure Mounting Options
- **UL Recognized**
Enclosure Materials: Polystyrene or Polycarbonate
- **Gasket Material:** Polyurethane
- **Color:** Light Gray
- **Material**
Temperature Range: Polystyrene
-40°C to 70°C (-40°F to 158°F)
Polycarbonate
-40°C to 120°C (-40°F to 248°F)
- **Accessories:** See section below



Smooth Sidewalls

Polystyrene

Polycarbonate

Ordering Information	Height mm (in)	Cat. No.	Type	Cover Color	Std. Pk.	Cat. No.	Type	Cover Color	Std. Pk.
☐ Enclosure - low cover	90 mm (3.54 in)	110-407	PS 1818-9-o	gray	2	120-407	PC 1818-9-o	gray	2
☐ Enclosure - high cover	111 mm (4.37 in)	110-907	PS 1818-11-o	gray	2	120-907	PC 1818-11-o	gray	2
☐ Enclosure - top hat cover	165 mm (6.50 in)	109-407	PS 1818-16-o	gray	1	121-407	PC 1818-16-o	gray	1
☐ Enclosure - low cover	90 mm (3.54 in)	111-007	PS 1818-9-to	trans.	2	130-007	PC 1818-9-to	trans.	2
☐ Enclosure - high cover	111 mm (4.37 in)	111-507	PS 1818-11-to	trans.	2	130-507	PC 1818-11-to	trans.	2
☐ Enclosure - top hat cover	165 mm (6.50 in)	112-007	PS 1818-16-to	trans.	1	131-007	PC 1818-16-to	trans.	1

Sidewalls with Metric Knockouts

Polystyrene

Polycarbonate

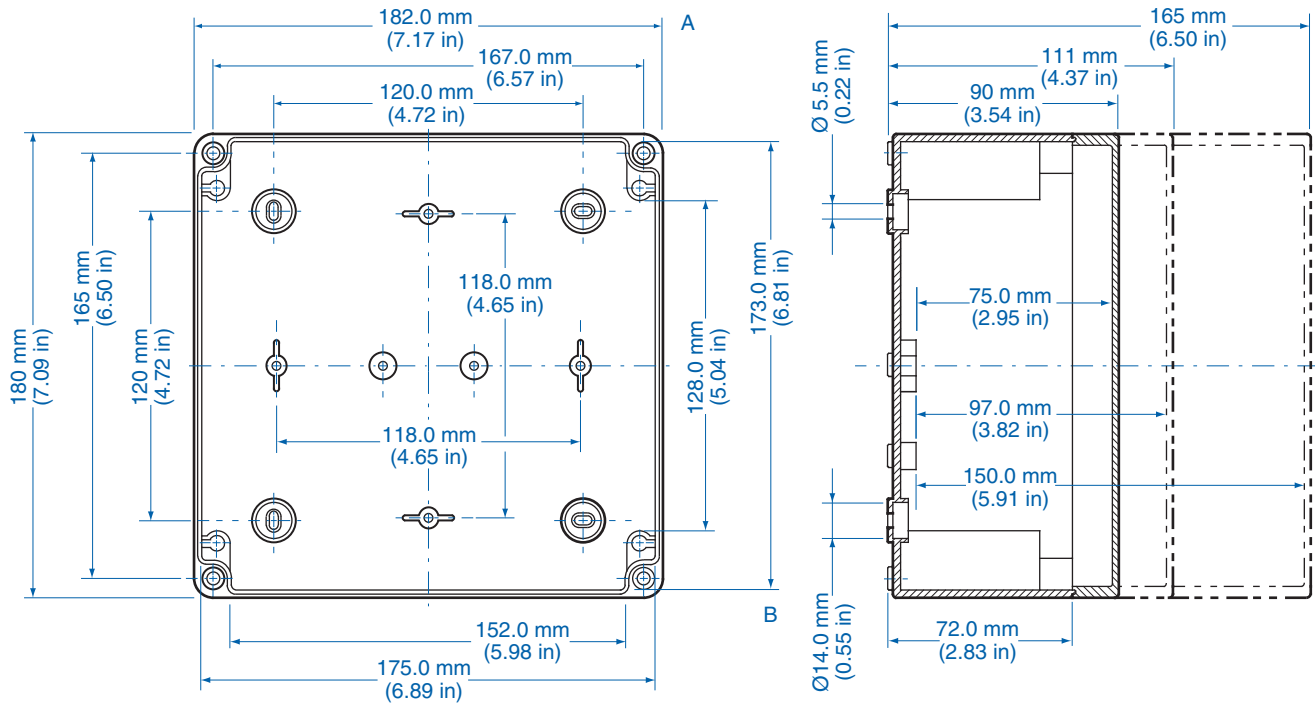
Ordering Information	Height mm (in)	Cat. No.	Type	Cover Color	Std. Pk.	Cat. No.	Type	Cover Color	Std. Pk.
☐ Enclosure - low cover	90 mm (3.54 in)	105-407	PS 1818-9-m	gray	2	127-407	PC 1818-9-m	gray	2
☐ Enclosure - high cover	111 mm (4.37 in)	105-907	PS 1818-11-m	gray	2	127-907	PC 1818-11-m	gray	2
☐ Enclosure - top hat cover	165 mm (6.50 in)	104-407	PS 1818-16-m	gray	1	128-407	PC 1818-16-m	gray	1
☐ Enclosure - low cover	90 mm (3.54 in)	106-007	PS 1818-9-tm	trans.	2	137-007	PC 1818-9-tm	trans.	2
☐ Enclosure - high cover	111 mm (4.37 in)	106-507	PS 1818-11-tm	trans.	2	137-507	PC 1818-11-tm	trans.	2
☐ Enclosure - top hat cover	165 mm (6.50 in)	107-007	PS 1818-16-tm	trans.	1	138-007	PC 1818-16-tm	trans.	1

Accessories

Ordering Information	Cat. No.	Type	Std. Pk.
Mounting Plate (plastic)	195-007	TKMPI-1818	1
Mounting Plate (steel)	197-007	TKMPS-1818	1
DIN Rail TS35-144mm	198-144	TS 35/144	1
Hinge Kit Set	190-005	HK2	1
Mounting Tab Kit	194-001	MT1	1

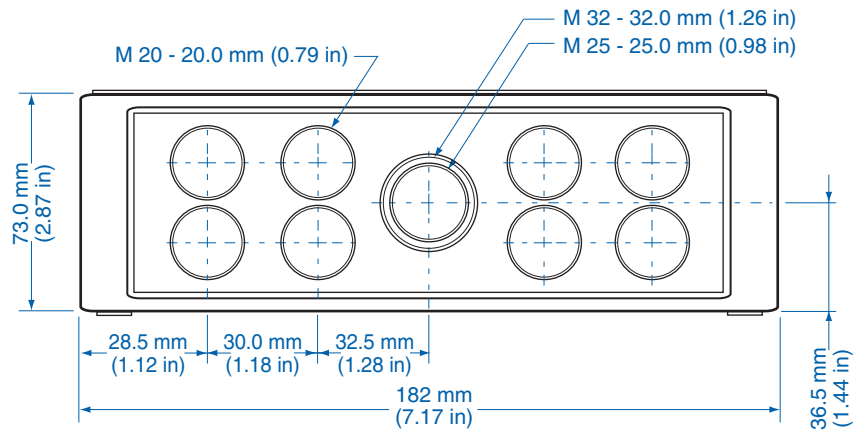
Please refer to pages 149-152 for additional accessories and detailed information.

Dimensions

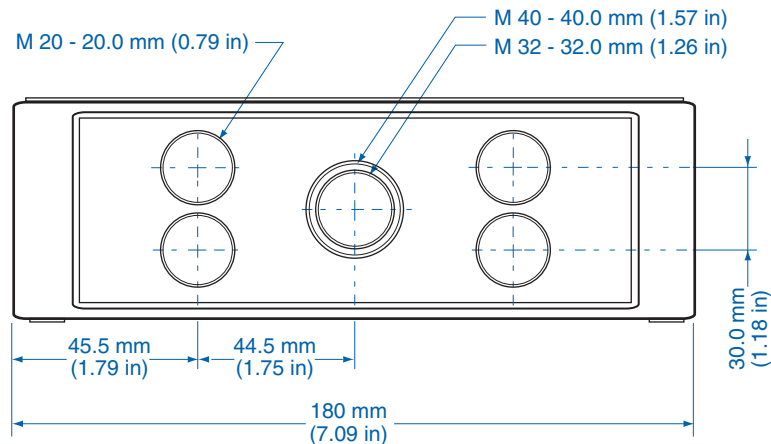


Knockout Positions

Side A



Side B



TK 2518f – Polystyrene and Polycarbonate – 254 x 180 mm (10.0 x 7.09 in.)

Standard Features

- **Protection Level:** IP66 (NEMA Type: 4X and 12/12K)
- **Technical:** Smooth or Knockout Sidewalls
Gray or Tinted Transparent Cover
Multiple Enclosure Mounting Options
- **UL Recognized**
Enclosure Materials: Polystyrene or Polycarbonate
- **Gasket Material:** Polyurethane
- **Color:** Light Gray
- **Material**
Temperature Range: Polystyrene
-40°C to 70°C (-40°F to 158°F)
Polycarbonate
-40°C to 120°C (-40°F to 248°F)
- **Accessories:** See section below



Smooth Sidewalls

Polystyrene

Polycarbonate

Ordering Information	Height mm (in)	Cat. No.	Type	Cover Color	Std. Pk.	Cat. No.	Type	Cover Color	Std. Pk.
☐ Enclosure - low cover	63 mm (2.48 in)	110-411	PS 2518-6f-o	gray	1	120-411	PC 2518-6f-o	gray	1
☐ Enclosure - high cover	84 mm (3.31 in)	110-911	PS 2518-8f-o	gray	1	120-911	PC 2518-8f-o	gray	1
☐ Enclosure - top hat cover	137 mm (5.39 in)	109-411	PS 2518-14f-o	gray	1	121-411	PC 2518-14f-o	gray	1
☐ Enclosure - low cover	63 mm (2.48 in)	111-011	PS 2518-6f-to	trans.	1	130-011	PC 2518-6f-to	trans.	1
☐ Enclosure - high cover	84 mm (3.31 in)	111-511	PS 2518-8f-to	trans.	1	130-511	PC 2518-8f-to	trans.	1
☐ Enclosure - top hat cover	137 mm (5.39 in)	112-011	PS 2518-14f-to	trans.	1	131-011	PC 2518-14f-to	trans.	1

Sidewalls with Metric Knockouts

Polystyrene

Polycarbonate

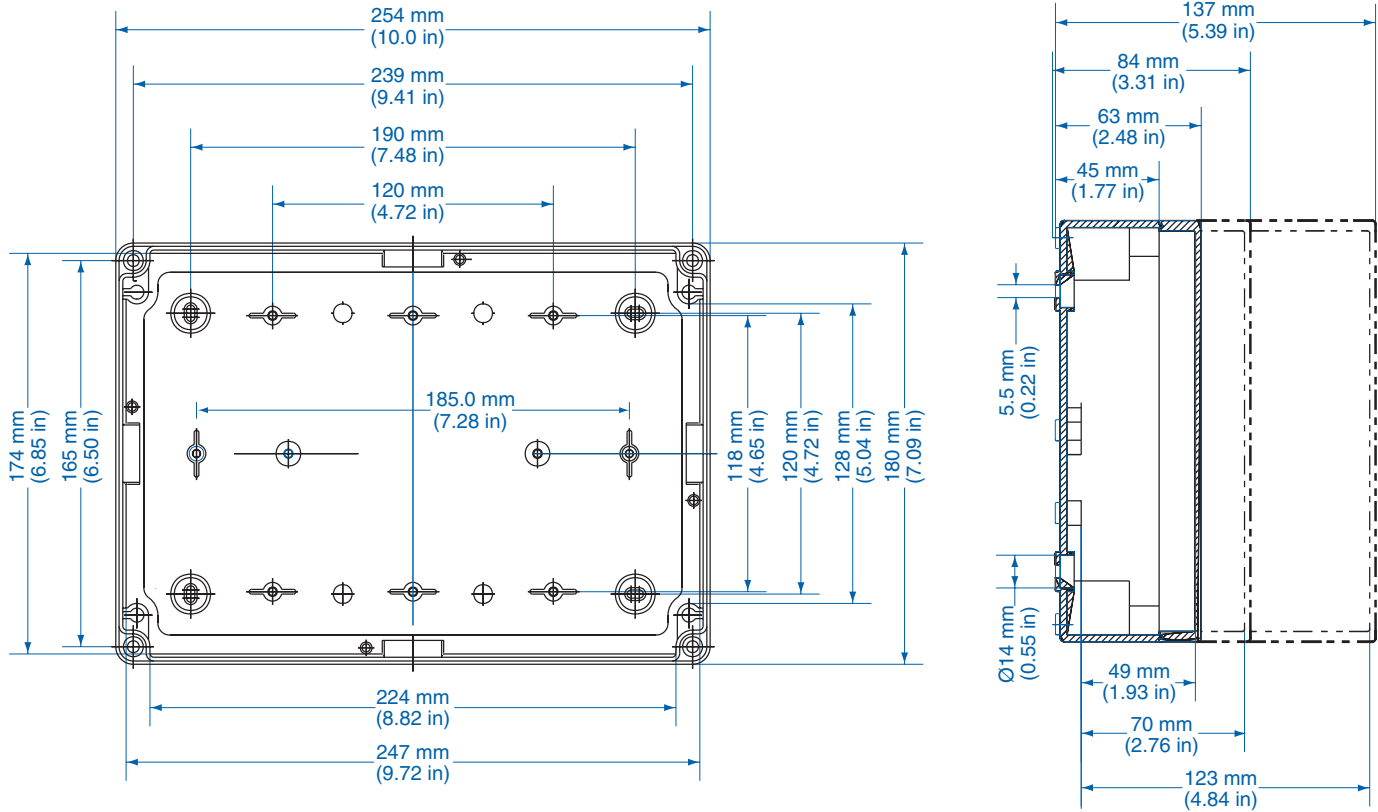
Ordering Information	Height mm (in)	Cat. No.	Type	Cover Color	Std. Pk.	Cat. No.	Type	Cover Color	Std. Pk.
☐ Enclosure - low cover	63 mm (2.48 in)	105-411	PS 2518-6f-m	gray	1	127-411	PC 2518-6f-m	gray	1
☐ Enclosure - high cover	84 mm (3.31 in)	105-911	PS 2518-8f-m	gray	1	127-911	PC 2518-8f-m	gray	1
☐ Enclosure - top hat cover	137 mm (5.39 in)	104-411	PS 2518-14f-m	gray	1	128-411	PC 2518-14f-m	gray	1
☐ Enclosure - low cover	63 mm (2.48 in)	106-011	PS 2518-6f-tm	trans.	1	137-011	PC 2518-6f-tm	trans.	1
☐ Enclosure - high cover	84 mm (3.31 in)	106-511	PS 2518-8f-tm	trans.	1	137-511	PC 2518-8f-tm	trans.	1
☐ Enclosure - top hat cover	137 mm (5.39 in)	107-011	PS 2518-14f-tm	trans.	1	138-011	PC 2518-14f-tm	trans.	1

Accessories

Ordering Information	Cat. No.	Type	Std. Pk.
Mounting Plate (plastic)	195-008	TKMPI-2518	1
Mounting Plate (steel)	197-008	TKMPS-2518	1
DIN Rail TS35-216mm	198-216	TS 35/216	1
Hinge Kit Set	190-005	HK2	1
Mounting Tab Kit	194-001	MT1	1

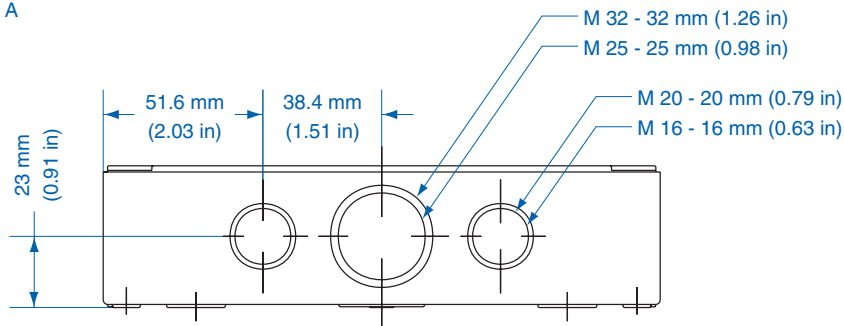
Please refer to pages 149-152 for additional accessories and detailed information.

Dimensions

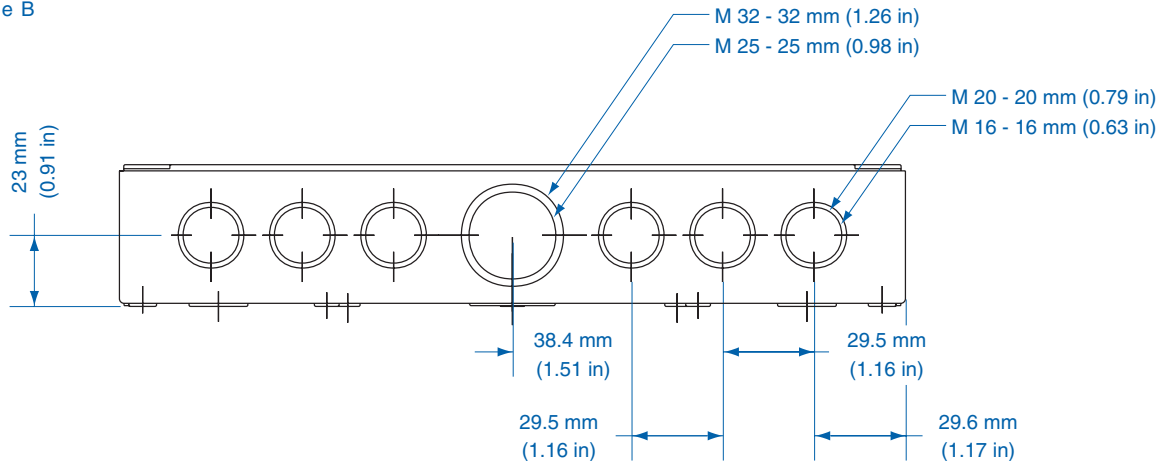


Knockout Positions

Side A



Side B



TK 2518 – Polystyrene and Polycarbonate – 254 x 180 mm (10.0 x 7.09 in.)

Standard Features

- **Protection Level:** IP66 (NEMA Type: 4X and 12/12K)
- **Technical:** Smooth or Knockout Sidewalls
Gray or Tinted Transparent Cover
Multiple Enclosure Mounting Options
- **UL Recognized**
 - Enclosure Materials:** Polystyrene or Polycarbonate
 - Gasket Material:** Polyurethane
 - Color:** Light Gray
 - Material**
 - Temperature Range:** Polystyrene
-40°C to 70°C (-40°F to 158°F)
Polycarbonate
-40°C to 120°C (-40°F to 248°F)
- **Accessories:** See section below



Smooth Sidewalls

Polystyrene

Polycarbonate

Ordering Information	Height mm (in)	Cat. No.	Type	Cover Color	Std. Pk.	Cat. No.	Type	Cover Color	Std. Pk.
☐ Enclosure - low cover	90 mm (3.54 in)	110-408	PS 2518-9-o	gray	1	120-408	PC 2518-9-o	gray	1
☐ Enclosure - high cover	111 mm (4.37 in)	110-908	PS 2518-11-o	gray	1	120-908	PC 2518-11-o	gray	1
☐ Enclosure - top hat cover	165 mm (6.50 in)	109-408	PS 2518-16-o	gray	1	121-408	PC 2518-16-o	gray	1
☐ Enclosure - low cover	90 mm (3.54 in)	111-008	PS 2518-9-to	trans.	1	130-008	PC 2518-9-to	trans.	1
☐ Enclosure - high cover	111 mm (4.37 in)	111-508	PS 2518-11-to	trans.	1	130-508	PC 2518-11-to	trans.	1
☐ Enclosure - top hat cover	165 mm (6.50 in)	112-008	PS 2518-16-to	trans.	1	131-008	PC 2518-16-to	trans.	1

Sidewalls with Metric Knockouts

Polystyrene

Polycarbonate

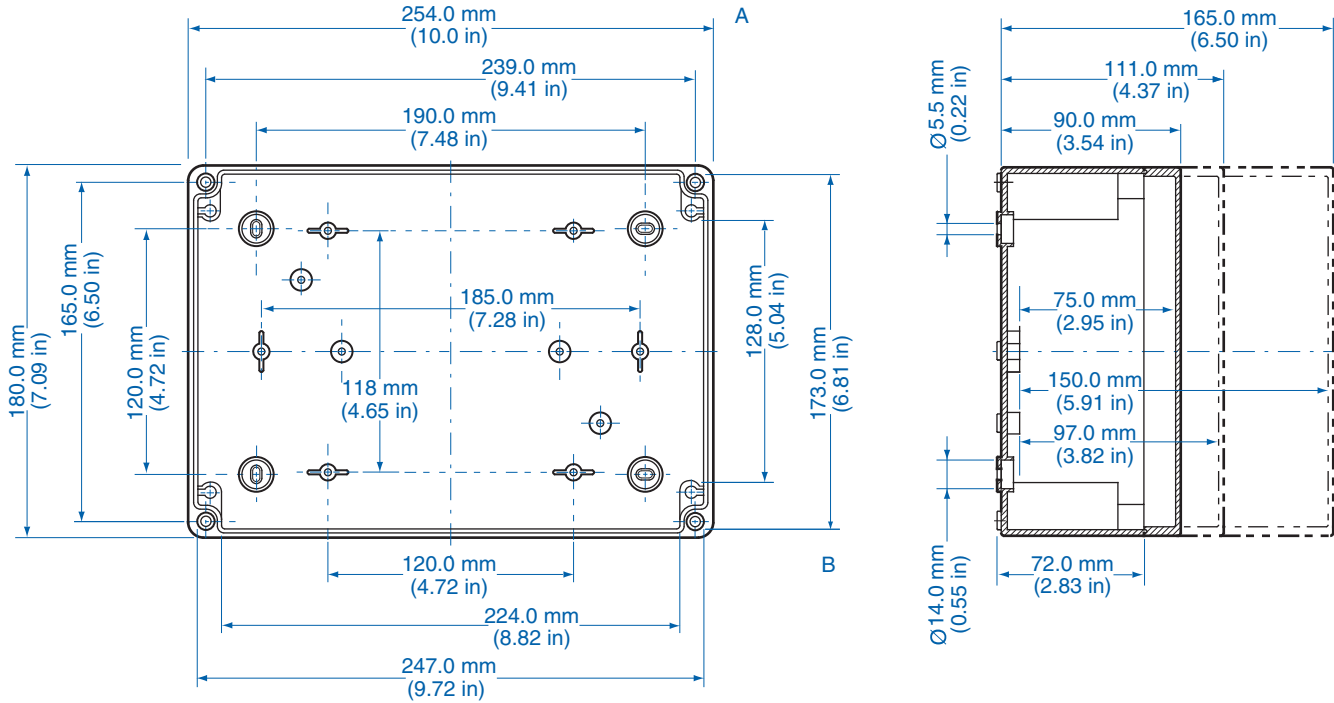
Ordering Information	Height mm (in)	Cat. No.	Type	Cover Color	Std. Pk.	Cat. No.	Type	Cover Color	Std. Pk.
☐ Enclosure - low cover	90 mm (3.54 in)	105-408	PS 2518-9-m	gray	1	127-408	PC 2518-9-m	gray	1
☐ Enclosure - high cover	111 mm (4.37 in)	105-908	PS 2518-11-m	gray	1	127-908	PC 2518-11-m	gray	1
☐ Enclosure - top hat cover	165 mm (6.50 in)	104-408	PS 2518-16-m	gray	1	128-408	PC 2518-16-m	gray	1
☐ Enclosure - low cover	90 mm (3.54 in)	106-008	PS 2518-9-tm	trans.	1	137-008	PC 2518-9-tm	trans.	1
☐ Enclosure - high cover	111 mm (4.37 in)	106-508	PS 2518-11-tm	trans.	1	137-508	PC 2518-11-tm	trans.	1
☐ Enclosure - top hat cover	165 mm (6.50 in)	107-008	PS 2518-16-tm	trans.	1	138-008	PC 2518-16-tm	trans.	1

Accessories

Ordering Information	Cat. No.	Type	Std. Pk.
Mounting Plate (plastic)	195-008	TKMPI-2518	1
Mounting Plate (steel)	197-008	TKMPS-2518	1
DIN Rail TS35-216mm	198-216	TS 35/216	1
Hinge Kit Set	190-005	HK2	1
Mounting Tab Kit	194-001	MT1	1

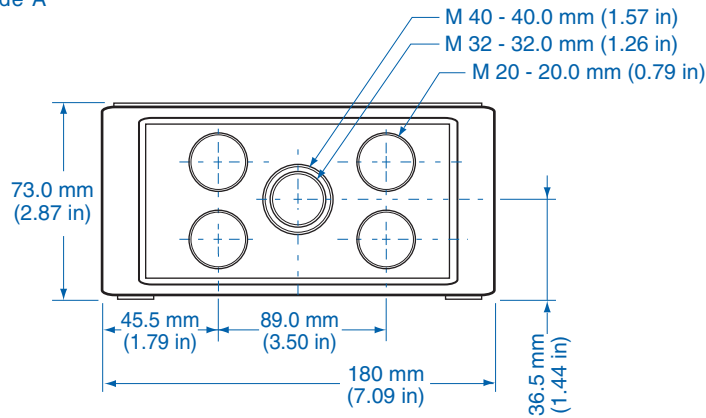
Please refer to pages 149-152 for additional accessories and detailed information.

Dimensions

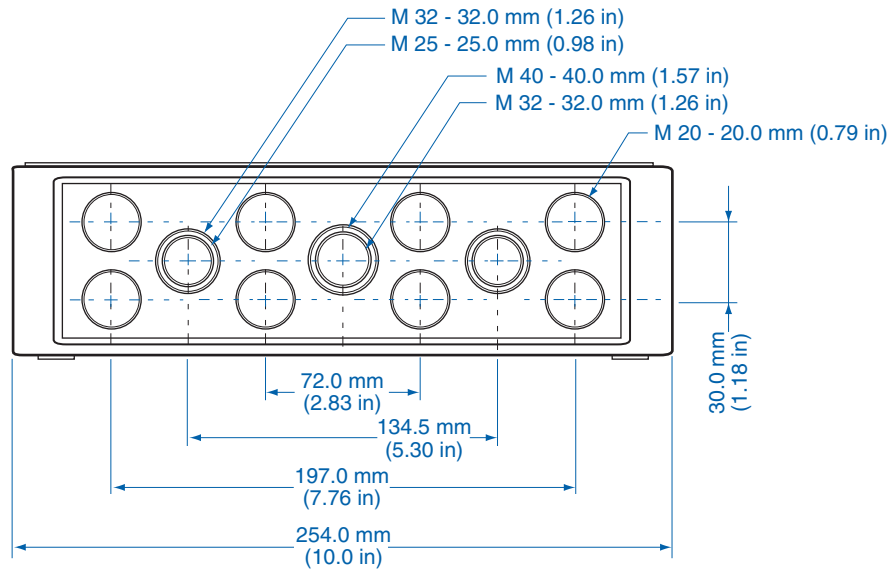


Knockout Positions

Side A



Side B



TK 3625 – Polystyrene and Polycarbonate – 360 x 254 mm (14.2 x 10.0 in.)

Standard Features

- **Protection Level:** IP66 (NEMA Type: 4X and 12/12K)
- **Technical:** Smooth or Knockout Sidewalls
Gray or Tinted Transparent Cover
Multiple Enclosure Mounting Options
- **UL Recognized**
Enclosure Materials: Polystyrene or Polycarbonate
- **Gasket Material:** Polyurethane
- **Color:** Light Gray
- **Material**
Temperature Range: Polystyrene
-40°C to 70°C (-40°F to 158°F)
Polycarbonate
-40°C to 120°C (-40°F to 248°F)
- **Accessories:** See section below



Smooth Sidewalls

Polystyrene

Polycarbonate

Ordering Information	Height mm (in)	Cat. No.	Type	Cover Color	Std. Pk.	Cat. No.	Type	Cover Color	Std. Pk.
Enclosure - low cover	111 mm (4.37 in)	110-412	PS 3625-11-o	gray	1	120-412	PC 3625-11-o	gray	1
Enclosure - high cover	165 mm (6.50 in)	110-912	PS 3625-16-o	gray	1	120-912	PC 3625-16-o	gray	1
Enclosure - low cover	111 mm (4.37 in)	111-012	PS 3625-11-to	trans.	1	130-012	PC 3625-11-to	trans.	1
Enclosure - high cover	165 mm (6.50 in)	111-512	PS 3625-16-to	trans.	1	130-512	PC 3625-16-to	trans.	1

Sidewalls with Metric Knockouts

Polystyrene

Polycarbonate

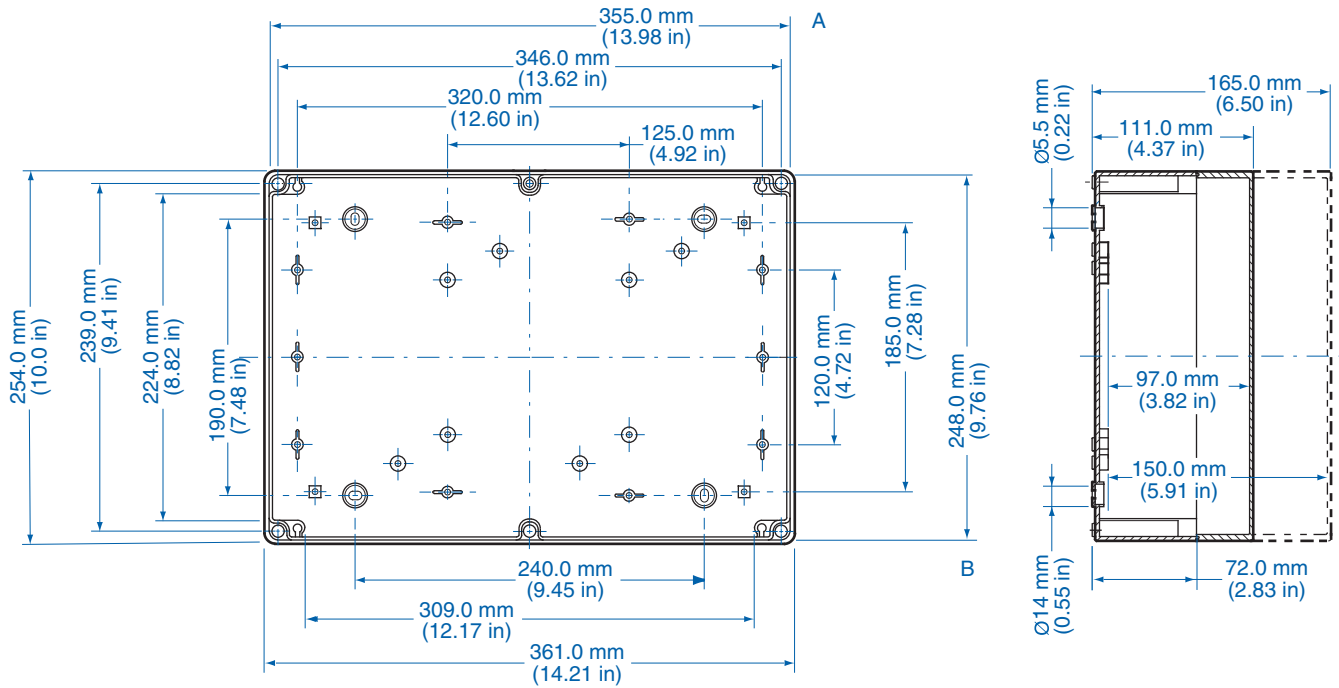
Ordering Information	Height mm (in)	Cat. No.	Type	Cover Color	Std. Pk.	Cat. No.	Type	Cover Color	Std. Pk.
Enclosure - low cover	111 mm (4.37 in)	105-412	PS 3625-11-m	gray	1	127-412	PC 3625-11-m	gray	1
Enclosure - high cover	165 mm (6.50 in)	105-912	PS 3625-16-m	gray	1	127-912	PC 3625-16-m	gray	1
Enclosure - low cover	111 mm (4.37 in)	106-012	PS 3625-11-tm	trans.	1	137-012	PC 3625-11-tm	trans.	1
Enclosure - high cover	165 mm (6.50 in)	106-512	PS 3625-16-tm	trans.	1	137-512	PC 3625-16-tm	trans.	1

Accessories

Ordering Information	Cat. No.	Type	Std. Pk.
Mounting Plate (plastic)	195-012	TKMPI-3625	1
Mounting Plate (steel)	197-012	TKMPS-3625	1
DIN Rail TS35-336mm	198-336	TS 35/ 336	1
Hinge Kit Set	190-005	HK2	1
Mounting Tab Kit	194-001	MT1	1

Please refer to pages 149-152 for additional accessories and detailed information.

Dimensions



Knockout Positions

